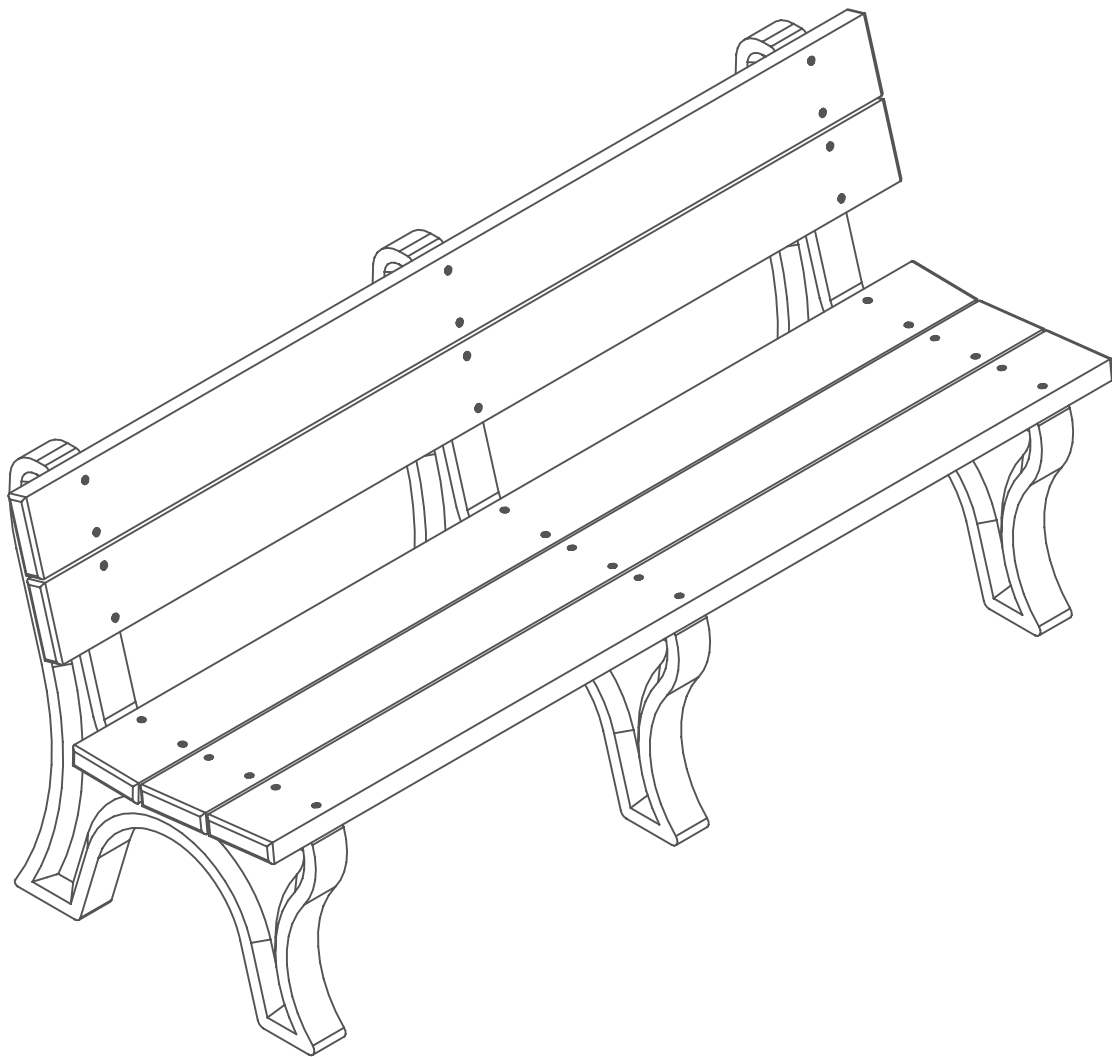


# Econo-Mizer Traditional 6' Backed Bench

For Fastener Pack  
(FP-ET6B-CU-00)



Congratulations !!

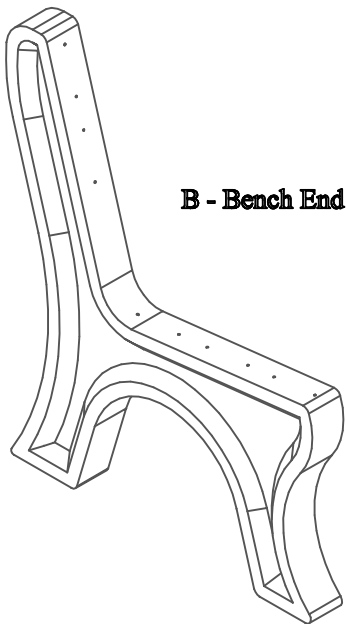
You have just purchased the finest recycled plastic  
park bench available. Enjoy !!!

Before assembly, please make sure all components are included.

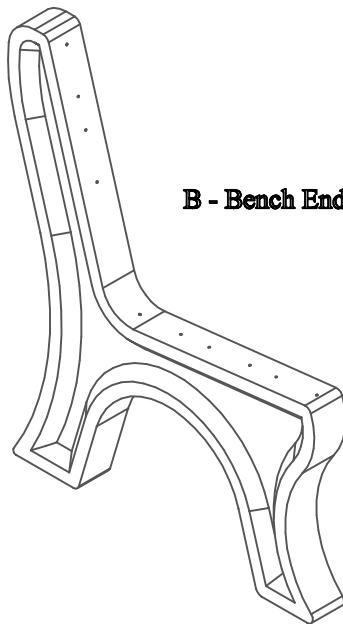


( 1 ) - One Fastener Pack  
FP-ET6B-CU-00

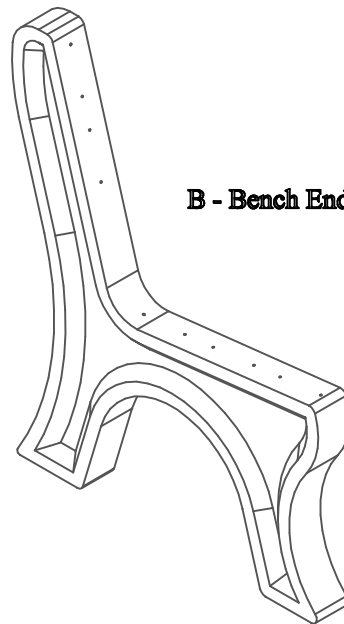
FP - Fastener Pack



B - Bench End



B - Bench End



B - Bench End

( 3 ) - Three Bench Ends  
PS-SBBE-ET-00

•	A - Bench Board	•	•
•		•	•
•	A - Bench Board	•	•
•		•	•
•	A - Bench Board	•	•
•		•	•
•	A - Bench Board	•	•
•		•	•
•	A - Bench Board	•	•
•		•	•

( 5 ) - Five Bench Boards  
BP-ET6B-A-00

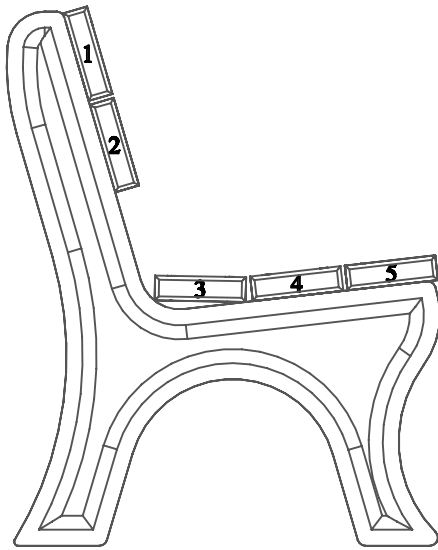
Before assembly, please make sure all fasteners are included.

30 - #12 x 3" Flat Head Phillips Screw



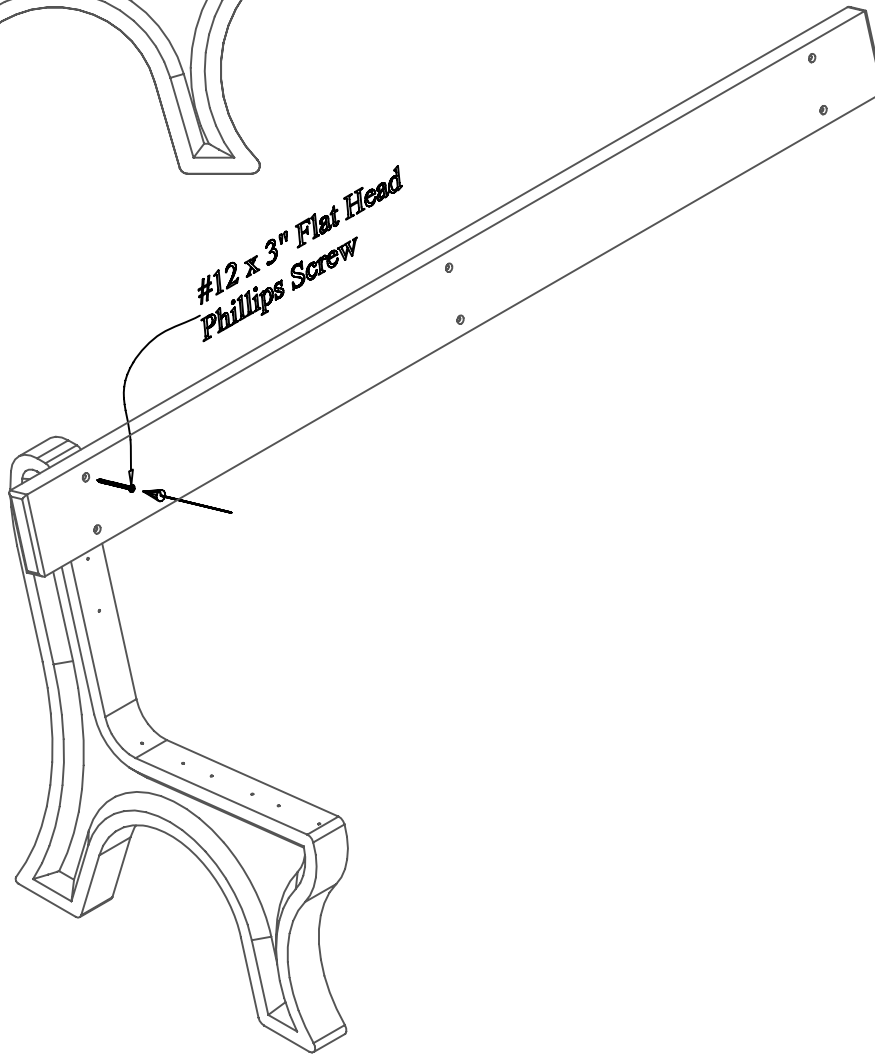
Also needed for this assembly will be the following materials:

1 - #3 Phillips Drive Bit



**Fig #1:**

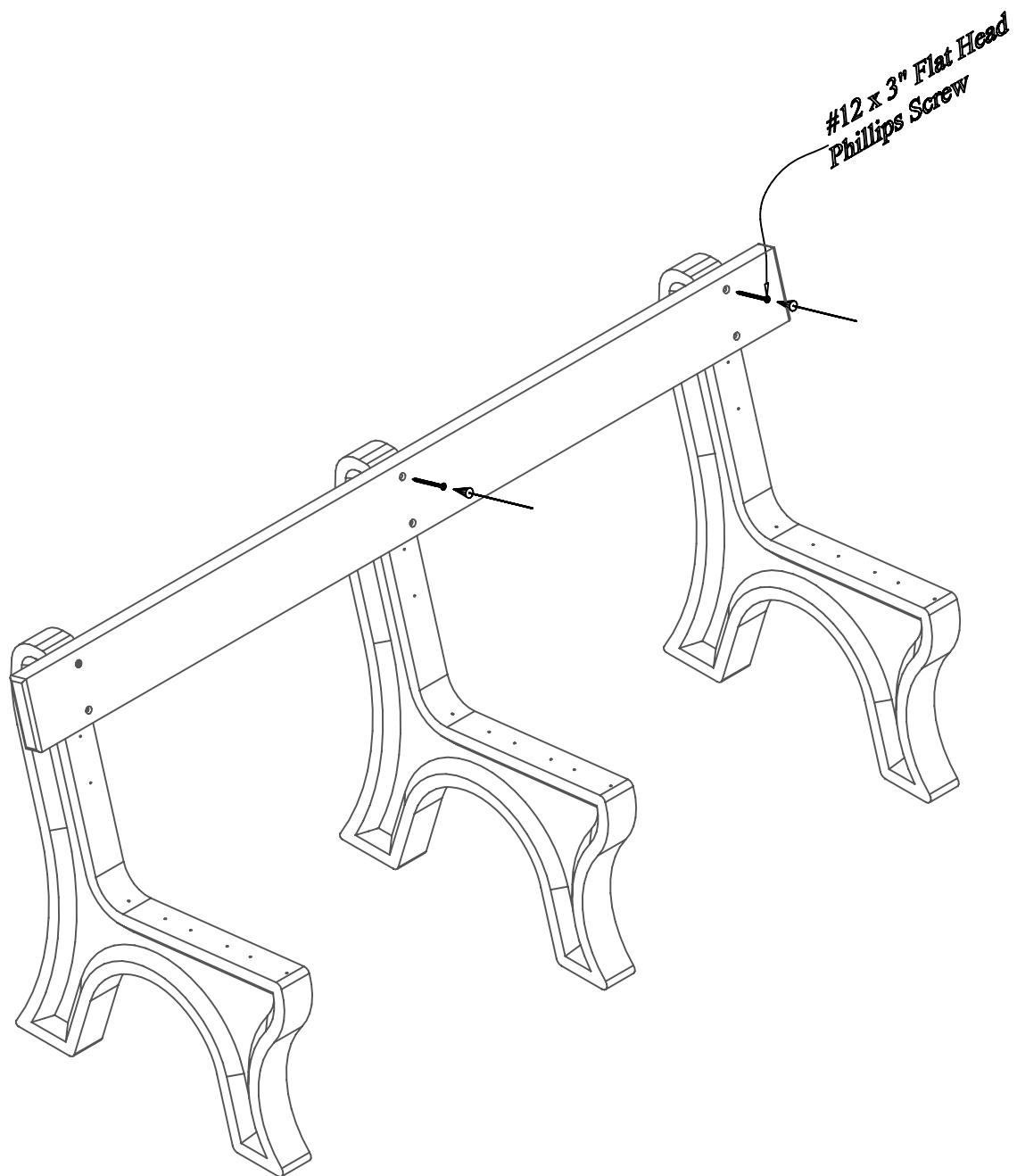
In order to make the assembly of this Traditional Bench easier while going through the assembly process the board positions are numbered and will be referenced in later steps.



**Step #1:**

Stand (1) One bench end upright and place (1) One bench board on position 1 being sure to align the pre-drilled holes to the pilot holes in the bench end. After the holes are properly aligned, fasten with (1) One #12 x 3" Flat Head Phillips Screw in the top pre-drilled hole.

Note: Do not tighten screw completely. This will be done in a later step.



### Step #2:

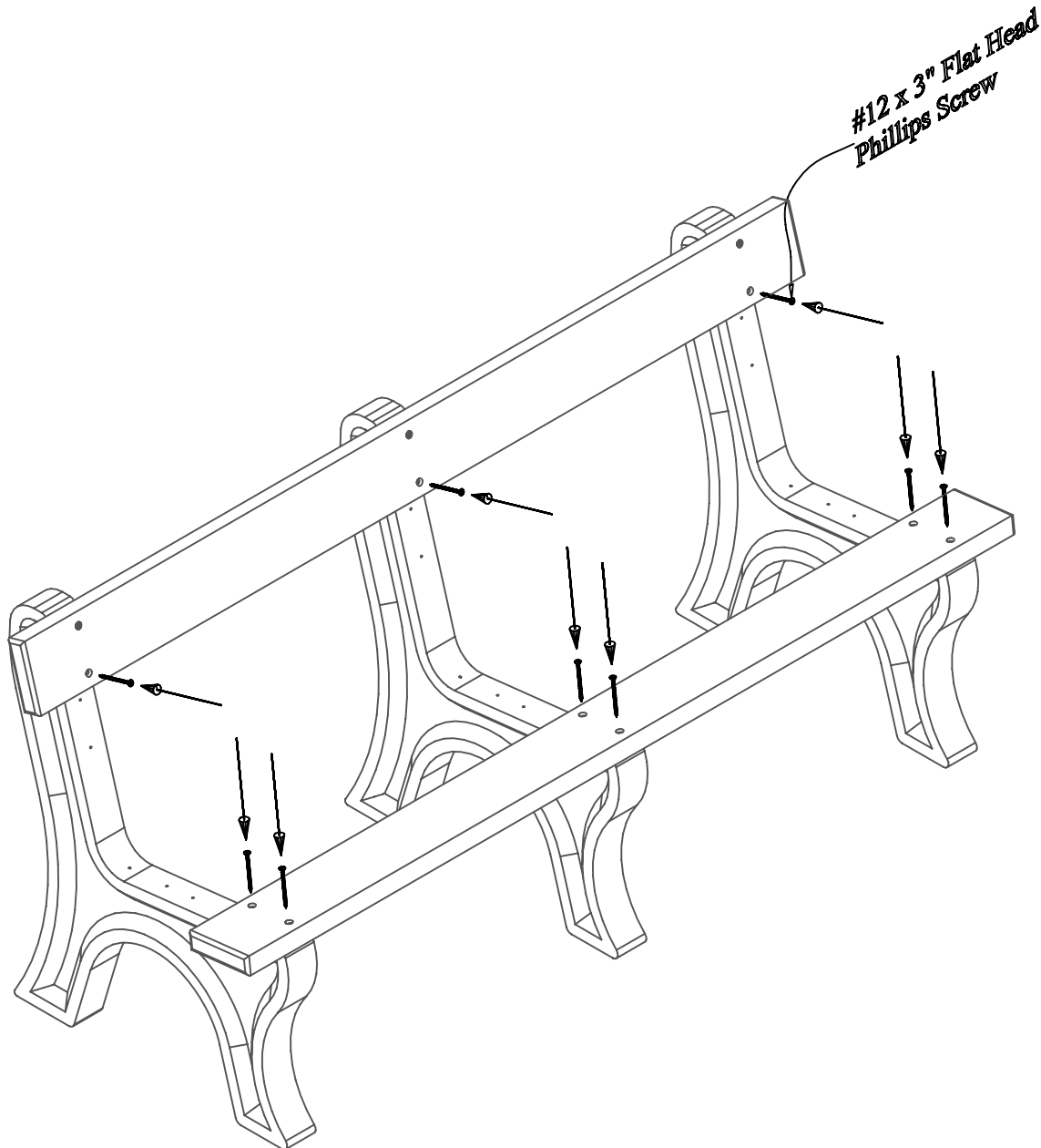
Stand the other (2) Two bench ends upright, one at a time, and place the bench board already attached to the first bench end, on position 1 being sure to align the pre-drilled holes to the pilot holes in the bench end. After the holes are properly aligned, fasten with (1) One #12 x 3" Flat Head Phillips Screw in the top pre-drilled hole.

Note: Do not tighten screws completely. This will be done in a later step.

### Step #3:

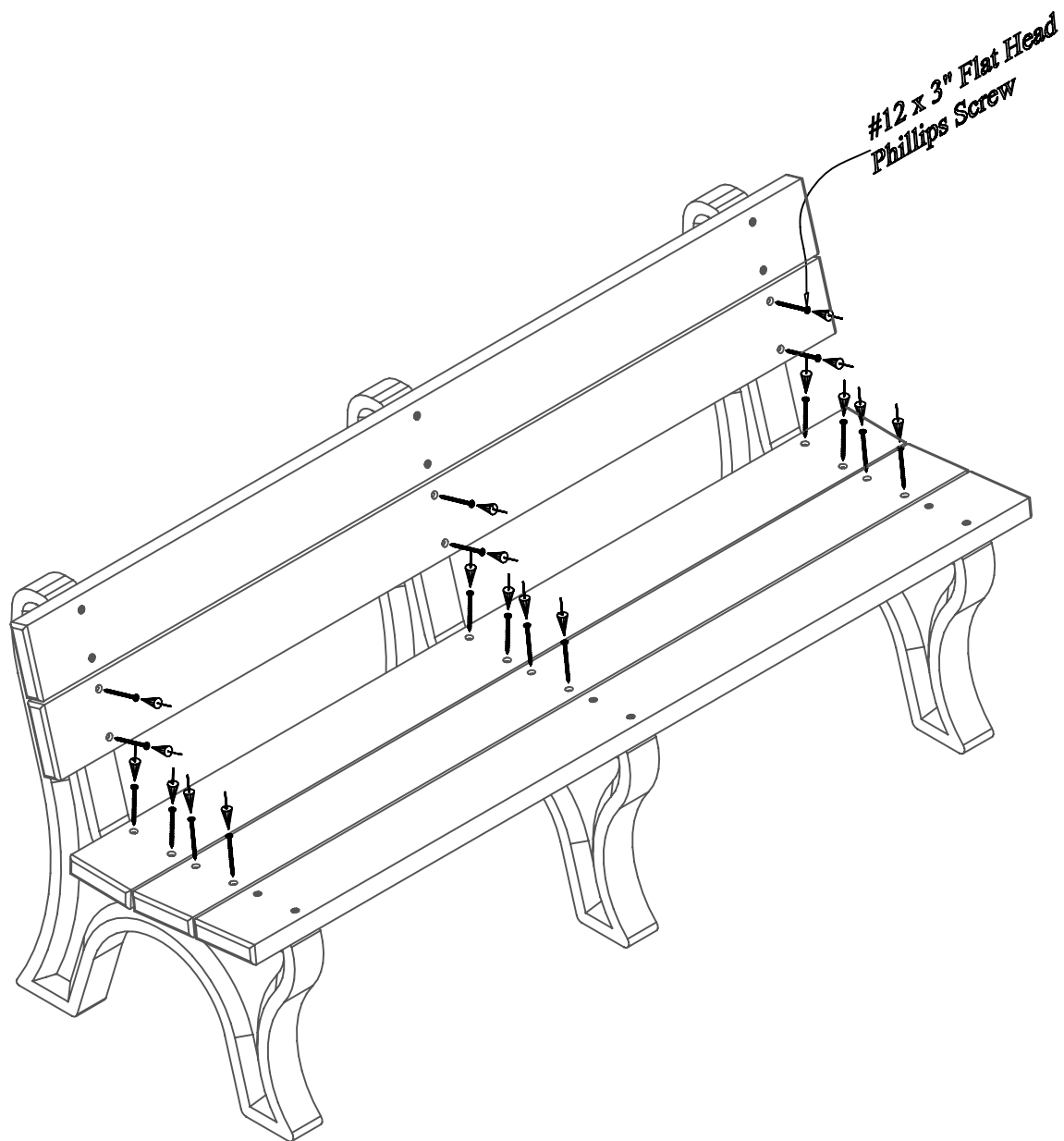
Align bottom pre-drilled holes to the pilot holes in the bench end. After the holes are properly aligned, fasten with (1) One #12 x 3" Flat Head Phillips Screw per hole.

Note: Be sure to tighten screws completely after this step.



### Step #4:

Place a second bench board on position 5. Repeat Steps 1 - 3 to attach. Use (1) One #12 x 3" Flat Head Phillips Screw per hole to fasten.



**Step #5:**

Repeat Steps 1 - 3 to attach bench boards on positions 2, 3 & 4. Use (1) One #12 x 3" Flat Head Phillips Screw per hole to fasten.