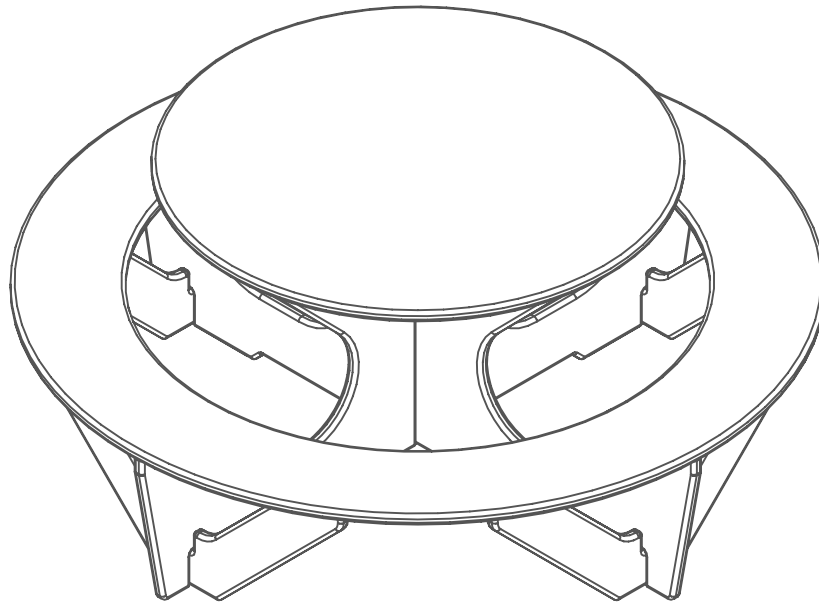


# Round Activity Picnic Table

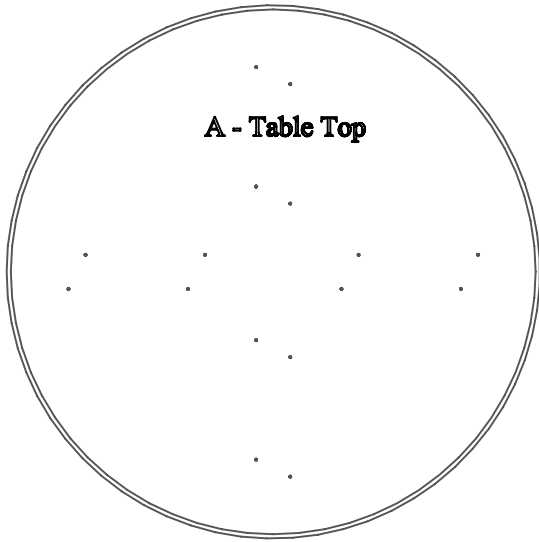
For Fastener Pack  
(FP-RAT-CU-01)



Congratulations !!

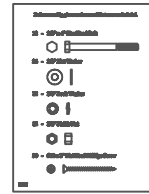
You have just purchased the finest plastic picnic  
table available. Enjoy !!!

Before assembly, please make sure all components are included.



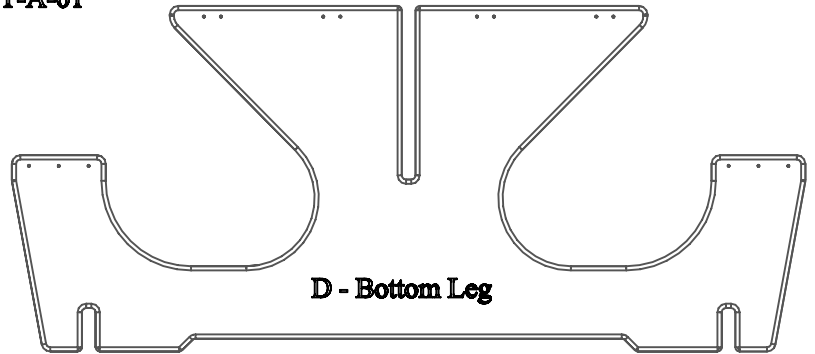
**A - Table Top**

**( 1 ) - One Table Top  
PPP-RAT-A-01**



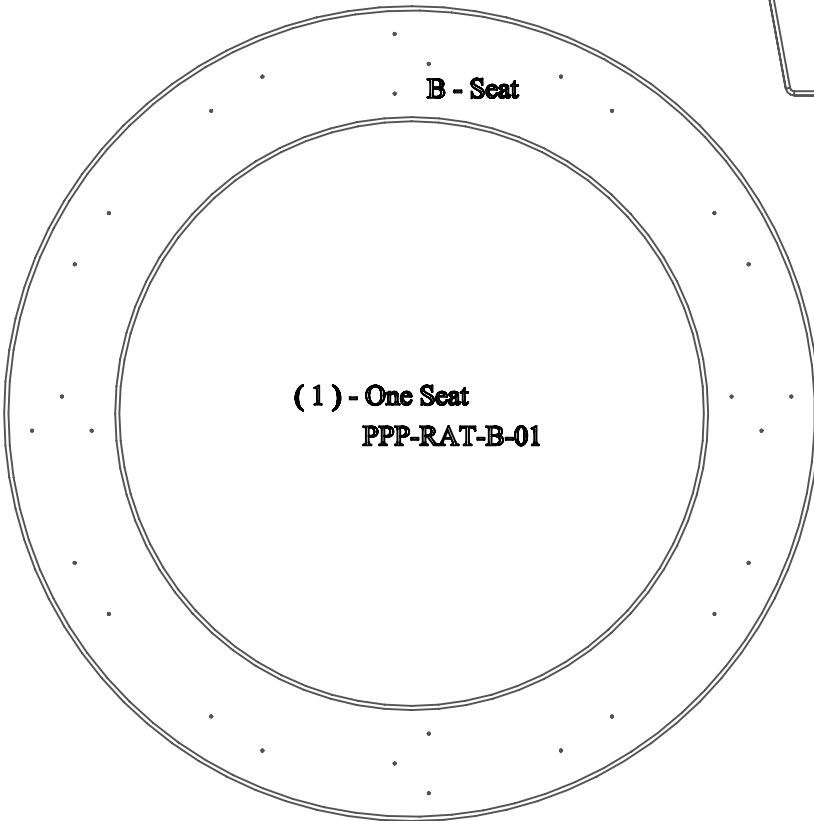
**FP - Fastener Pack**

**( 1 ) - One Fastener Pack  
FP-RAT-CU-01**



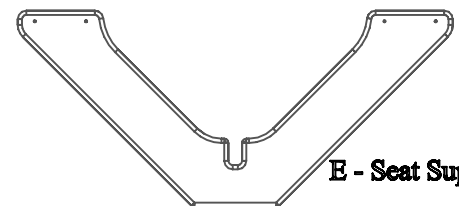
**D - Bottom Leg**

**( 1 ) - One Bottom Leg  
PPP-RAT-D-01**

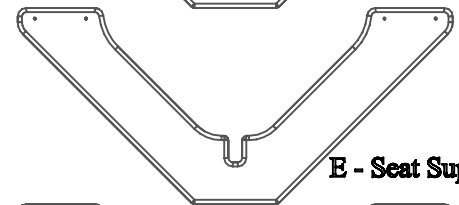


**B - Seat**

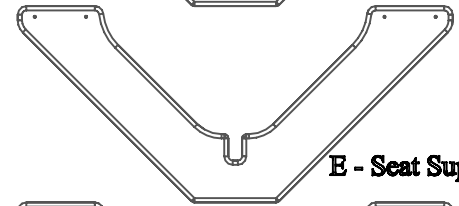
**( 1 ) - One Seat  
PPP-RAT-B-01**



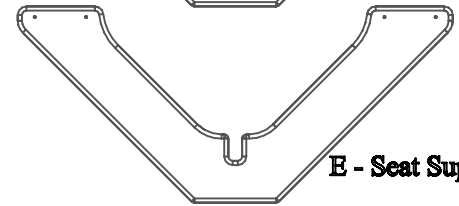
**E - Seat Support**



**E - Seat Support**

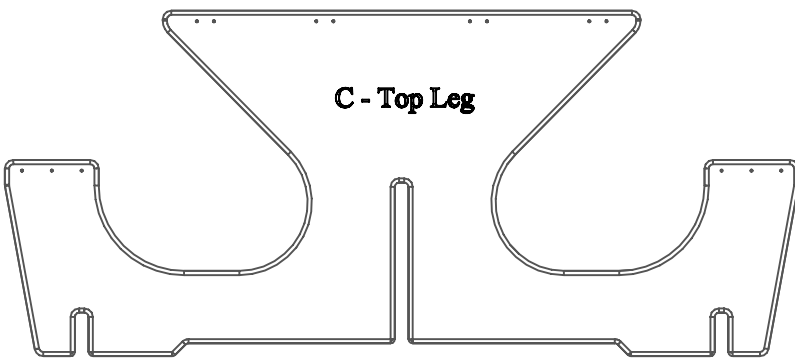


**E - Seat Support**



**E - Seat Support**

**( 4 ) - Four Seat Supports  
PPP-RAT-E-01**



**C - Top Leg**

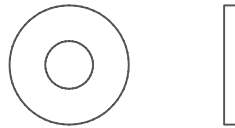
**( 1 ) - One Top Leg  
PPP-RAT-C-01**

Before assembly, please make sure all fasteners are included.

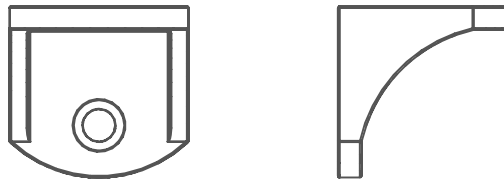
88 - #12 x 1/2" Pan Head Phillips Screw



88 - 1/4" Flat Washer



44 - 5/8" Plastic Angle Bracket

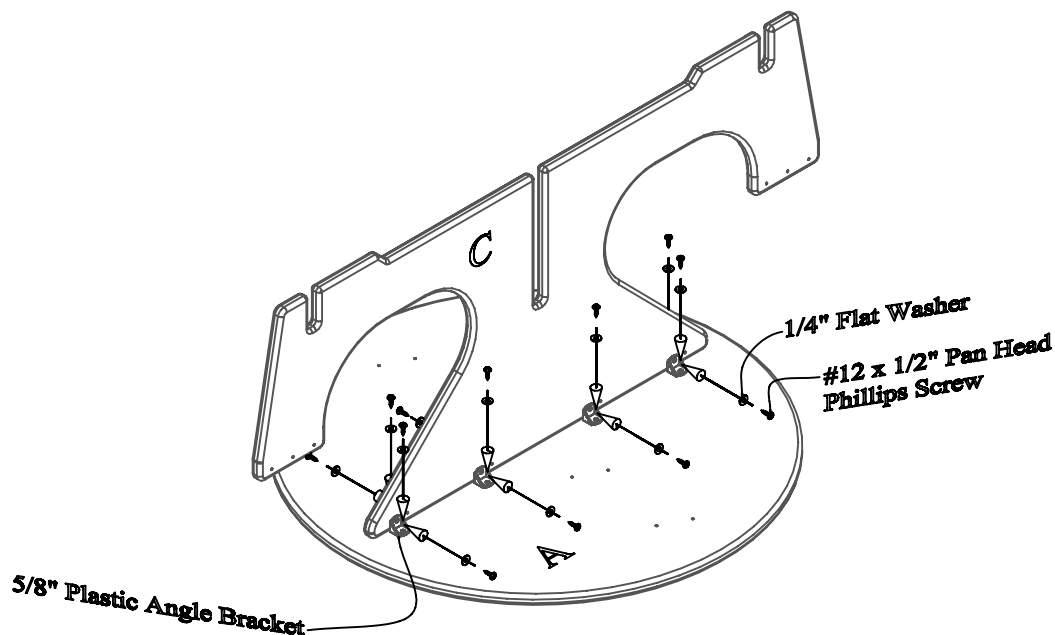


Also needed for this assembly will be the following materials:

1 - #3 Phillips Drive Bit

**Note:**

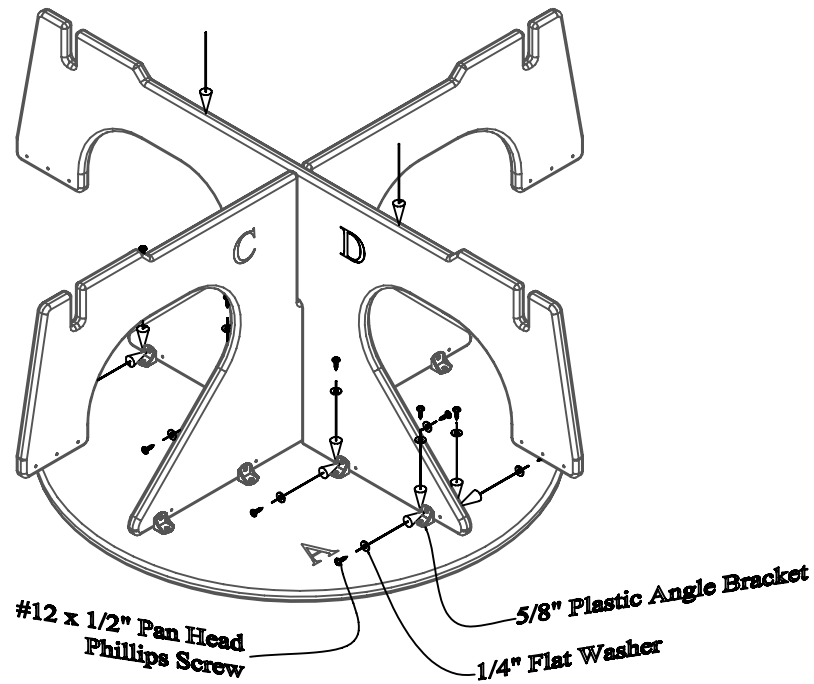
Use the cardboard that your table was shipped in to build your table on to prevent damage.



**Step #1:**

Place the Table Top upside down with the pilot holes facing up on the cardboard that your table was shipped in to prevent damage. Place the Top Leg onto the Table Top as shown. Secure the Top Leg with ( 8 ) Eight Plastic Angle Brackets. Use ( 1 ) One #12 x 1/2" Pan Head Phillips Screw and ( 1 ) One 1/4" Flat Washer per hole to secure.

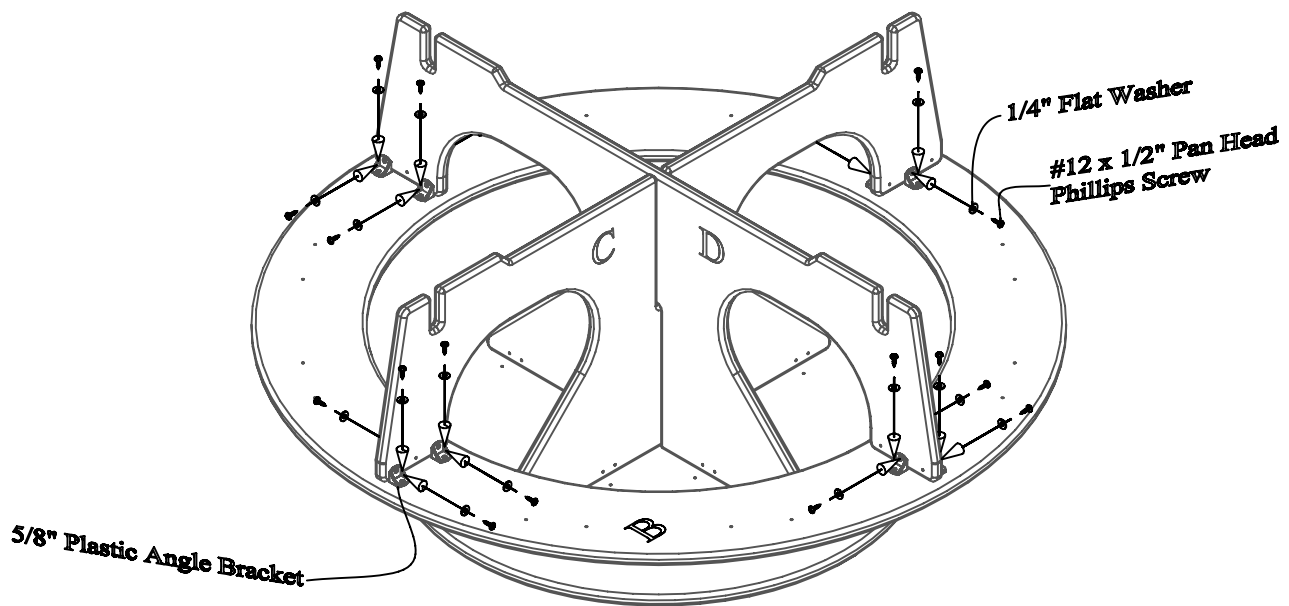
Please use caution while tightening the screws as over tightening will cause damage to the Plastic Angle Brackets.



### Step #2:

While the table is upside down, slide the Bottom Leg into the groove cut out of the Top Leg. Secure the Bottom Leg with ( 8 ) Eight Plastic Angle Brackets. Use ( 1 ) One #12 x 1/2" Pan Head Phillips Screw and ( 1 ) One 1/4" Flat Washer per hole to secure.

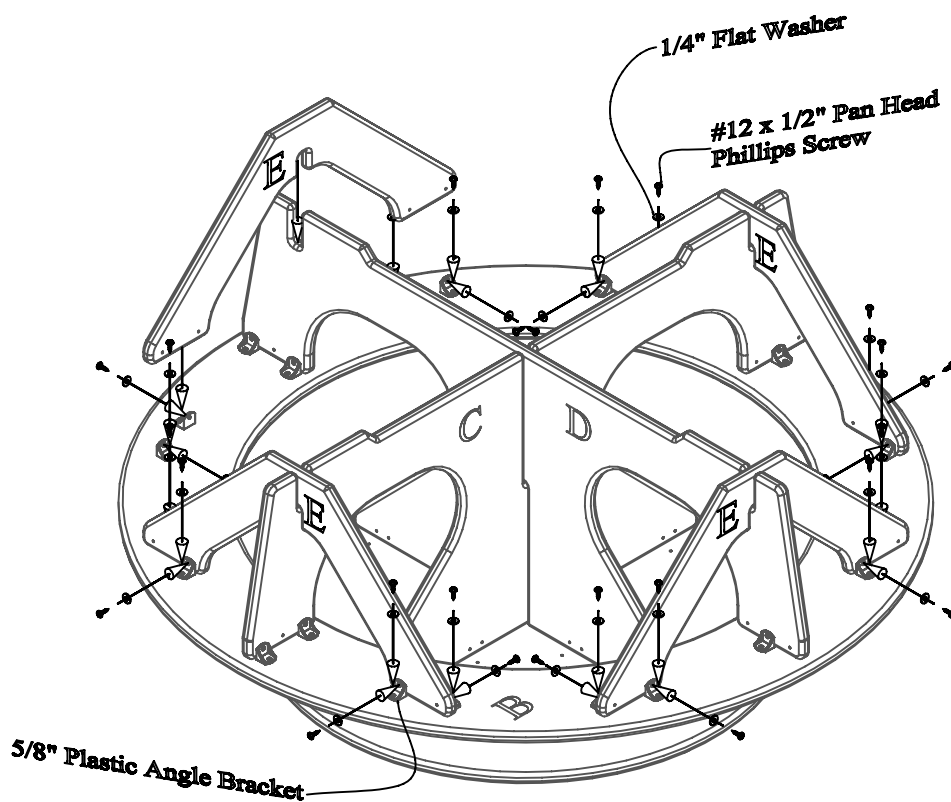
Please use caution while tightening the screws as over tightening will cause damage to the Plastic Angle Brackets.



### Step #3:

While the table is upside down, secure the Seat to the Legs as shown above, using ( 12 ) Twelve Plastic Angle Brackets. Use ( 1 ) One #12 x 1/2" Pan Head Phillips Screw and ( 1 ) One 1/4" Flat Washer per hole to secure.

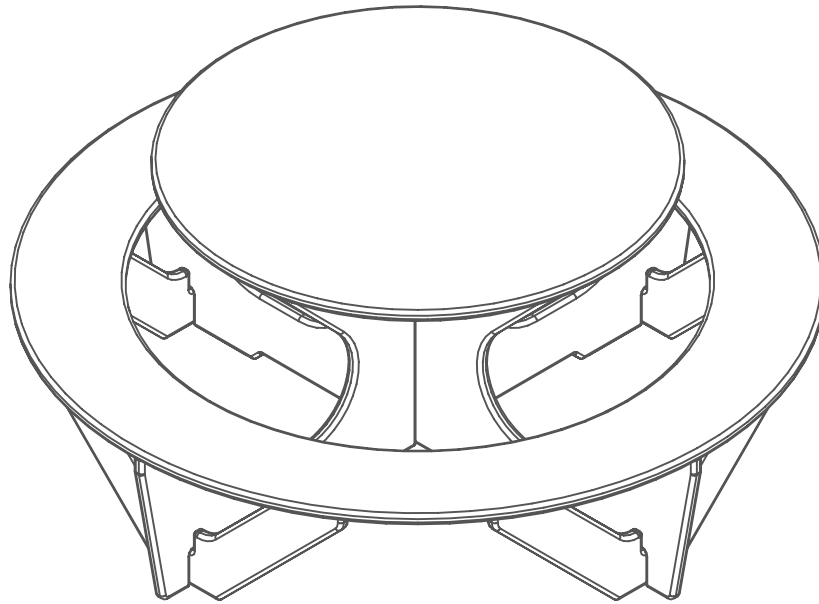
Please use caution while tightening the screws as over tightening will cause damage to the Plastic Angle Brackets.



#### Step #4:

While the table is upside down, slide the Seat Supports into the grooves in the Legs and fasten to the Seat with ( 16 ) Sixteen Plastic Angle Brackets as shown above. Use ( 1 ) One #12 x 1/2" Pan Head Phillips Screw and ( 1 ) One 1/4" Flat Washer per hole to secure.

Please use caution while tightening the screws as over tightening will cause damage to the Plastic Angle Brackets.



**Step #5:**

Turn the table upright onto it's frame. Please take caution while flipping the table. At this point in assembly the table weighs approximately 85 Pounds.



DEAR VALUED CUSTOMER,

THANK YOU FOR PURCHASING THIS PRODUCT. THIS PRODUCT IS MANUFACTURED USING RECYCLED MATERIALS AND MAY HAVE SLIGHT COLOR VARIATIONS, OCCASIONAL SPECKS OF COLOR OR IRREGULAR SURFACE PATTERNS. THESE ARE NORMAL CONDITIONS OF RECYCLED PLASTICS AND MAKE EACH PIECE OF FURNITURE UNIQUE. THESE CHARACTERISTICS DO NOT AFFECT THE STRENGTH, QUALITY OR PERFORMANCE OF THE PRODUCT.

THANK YOU AGAIN FOR PURCHASING THIS PRODUCT AND HELPING OUR ENVIRONMENT.