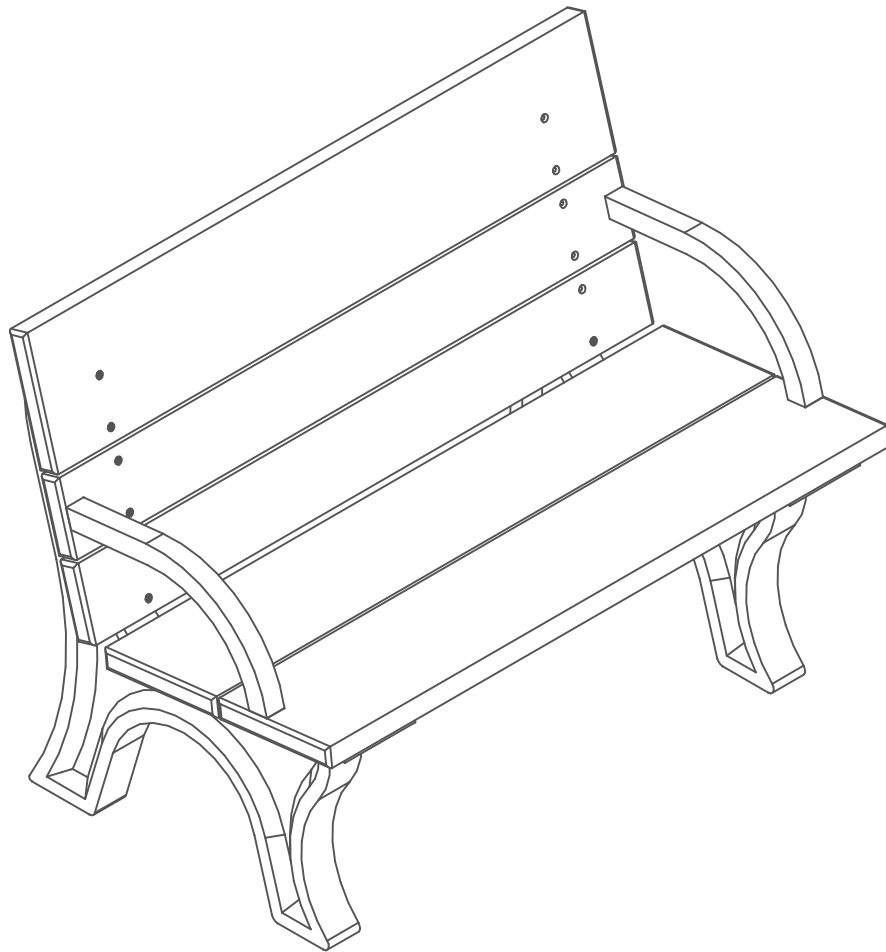


4 Foot Traditional ADA Park Bench

For Fastener Pack
(FP-TB4HA-CU-01)



Congratulations !!

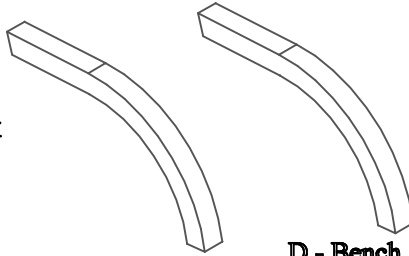
You have just purchased the finest recycled plastic
park bench available. Enjoy !!!

Before assembly, please make sure all components are included.



(1) - One Fastener Pack
FP-TB4HA-CU-01

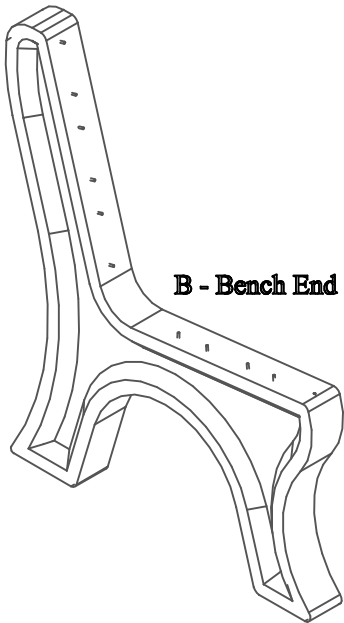
FP - Fastener Pack



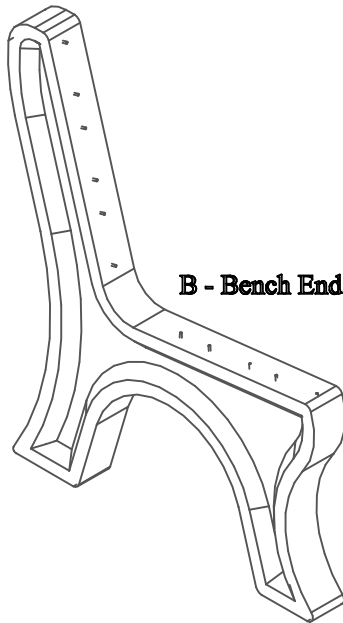
D - Bench Arm

D - Bench Arm

(2) - Two Bench Arms
BP-BA-A-01



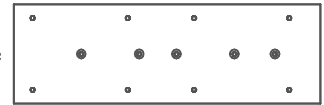
B - Bench End



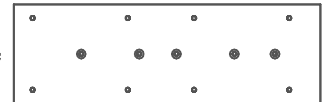
B - Bench End

(2) - Two Bench Ends
PS-SBBE-H-01

G - Mounting Plate



G - Mounting Plate



(2) - Two Mounting Plates
BP-TBHA-A-01



A - Bench Board

(1) - One Bench Board
BP-TB4HA-A-01



C - Bench Board w/ Arm holes

(1) - One Bench Board
BP-TB4BA-A-02



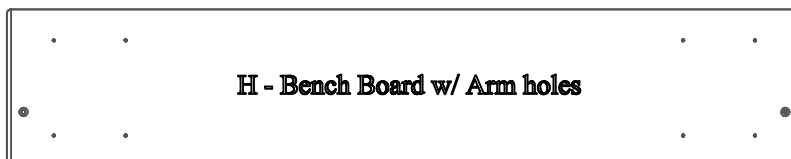
E - Bench Board

(1) - One Bench Board
BP-TB4B-A-02



F - Bench Board

(1) - One Bench Board
BP-TB4HA-B-01



H - Bench Board w/ Arm holes

(1) - One Bench Board
BP-TB4HA-C-01

Before assembly, please make sure all fasteners are included.

16 - #12 x 3" Flat Head Phillips Screw



10 - #12 x 2" Flat Head Phillips Screw



16 - #12 x 2" Pan Head Phillips Screw



Also needed for this assembly will be the following materials:

1 - #3 Phillips Drive Bit

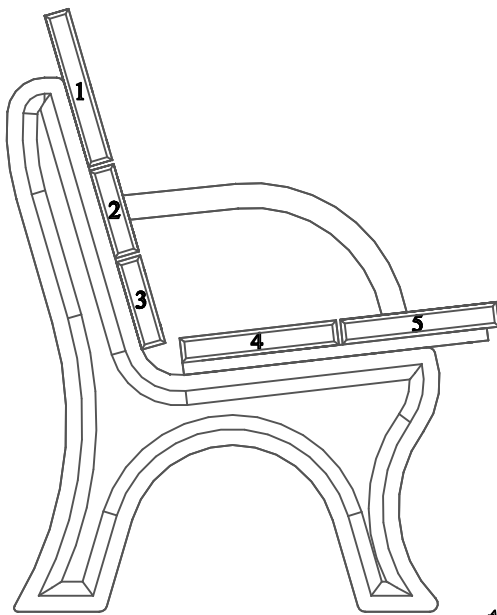
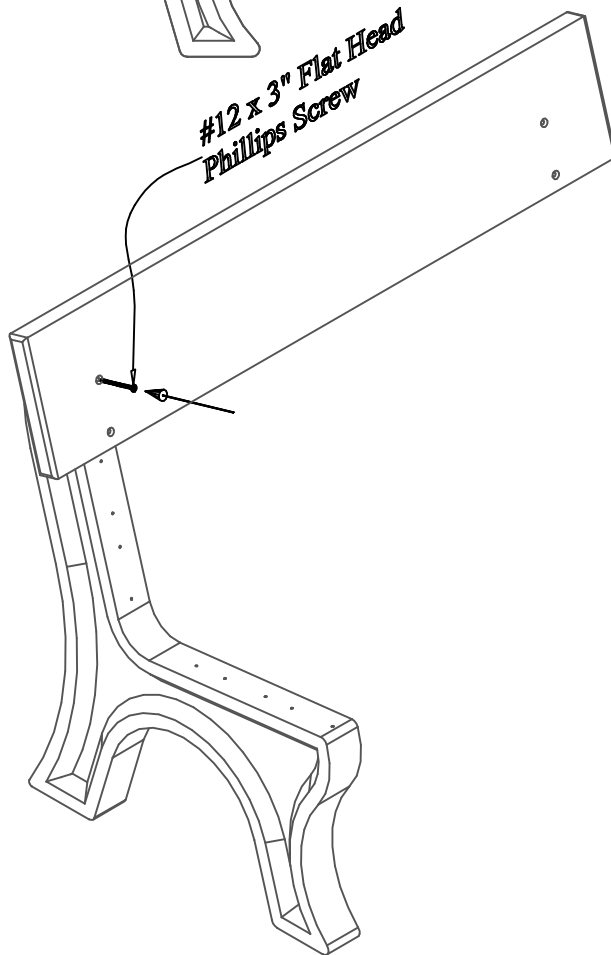


Fig #1:

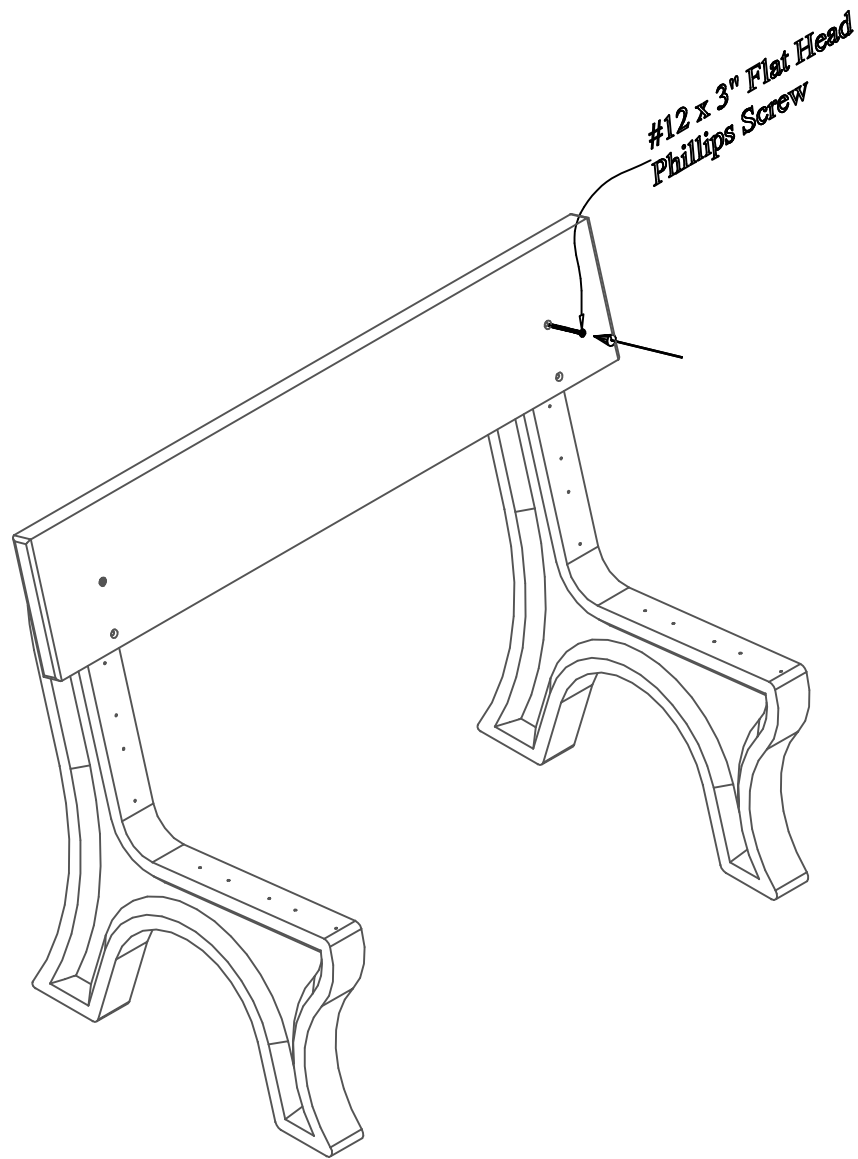
In order to make the assembly of this Traditional Bench easier while going through the assembly process the board positions are numbered and will be referenced in later steps.



Step #1:

Stand (1) One bench end upright and place (1) One "A" bench board on position 1 being sure to align the pre-drilled holes to the pilot holes in the bench end. After the holes are properly aligned, fasten with (1) One #12 x 3" Flat Head Phillips Screw in the top pre-drilled hole.

Note: Do not tighten screw completely. This will be done in a later step.



Step #2:

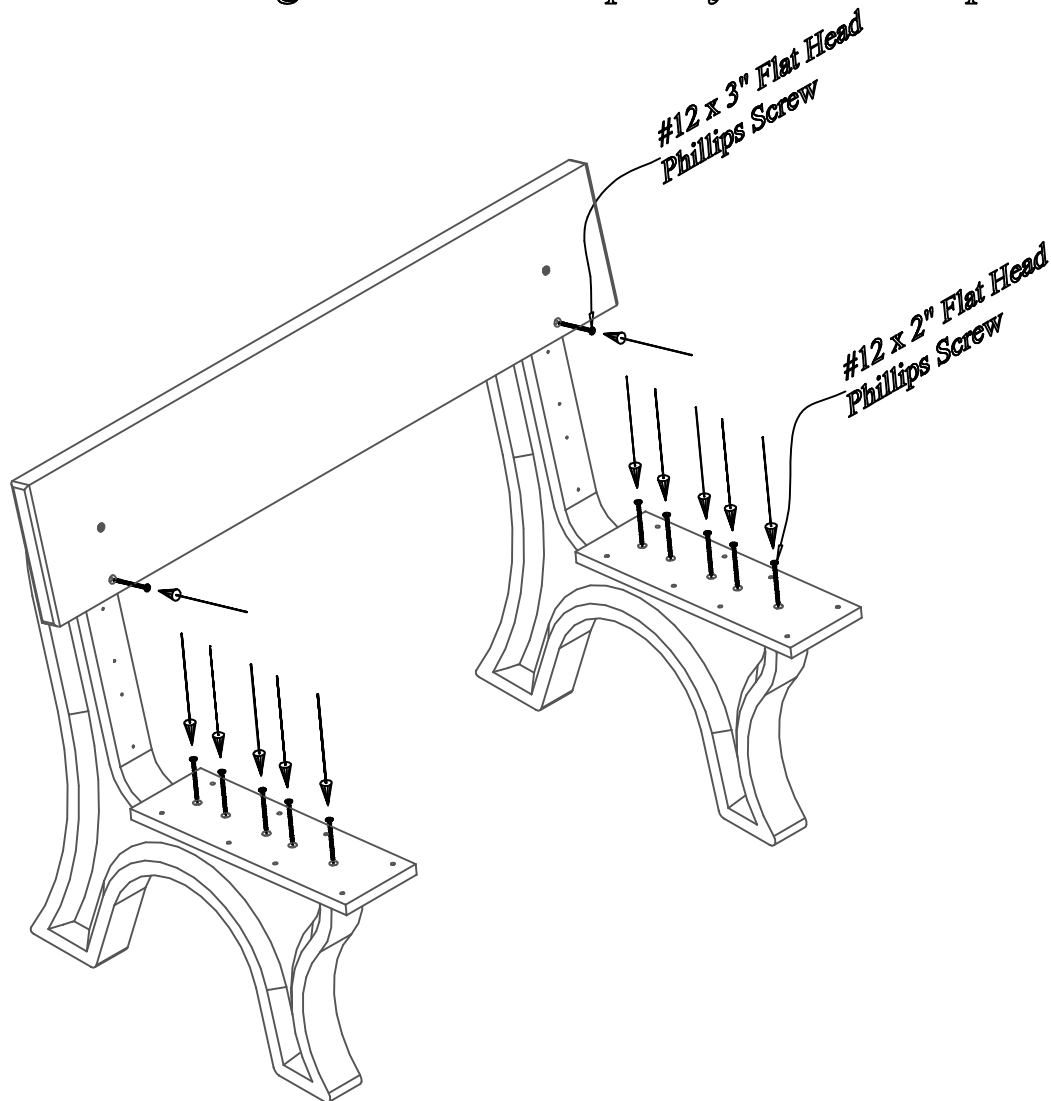
Stand the other (1) bench end upright, and place the bench board already attached to the first bench end, on position 1 being sure to align the pre-drilled holes to the pilot holes in the bench end. After the holes are properly aligned, fasten with (1) One #12 x 3" Flat Head Phillips Screw in the top pre-drilled hole.

Note: Do not tighten screws completely. This will be done in a later step.

Step #3:

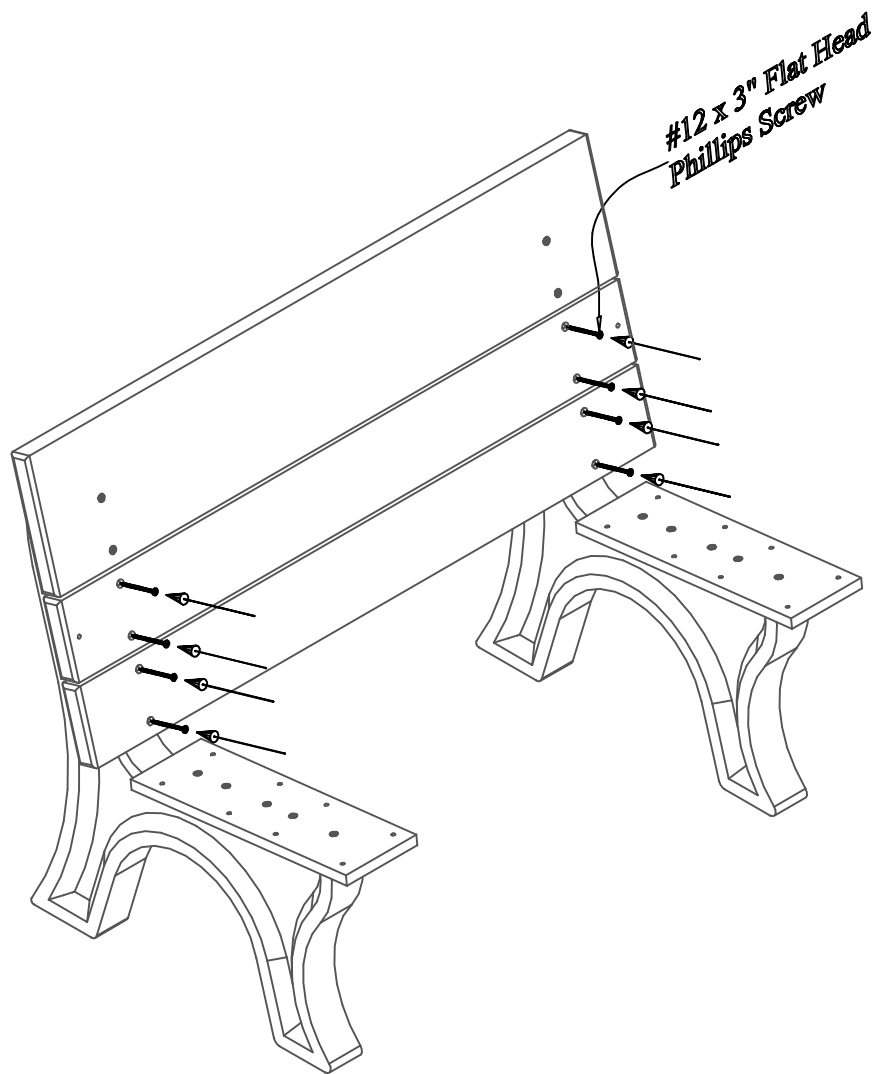
Align bottom pre-drilled holes to the pilot holes in the bench end. After the holes are properly aligned, fasten with (1) One #12 x 3" Flat Head Phillips Screw per hole.

Note: Be sure to tighten screws completely after this step.



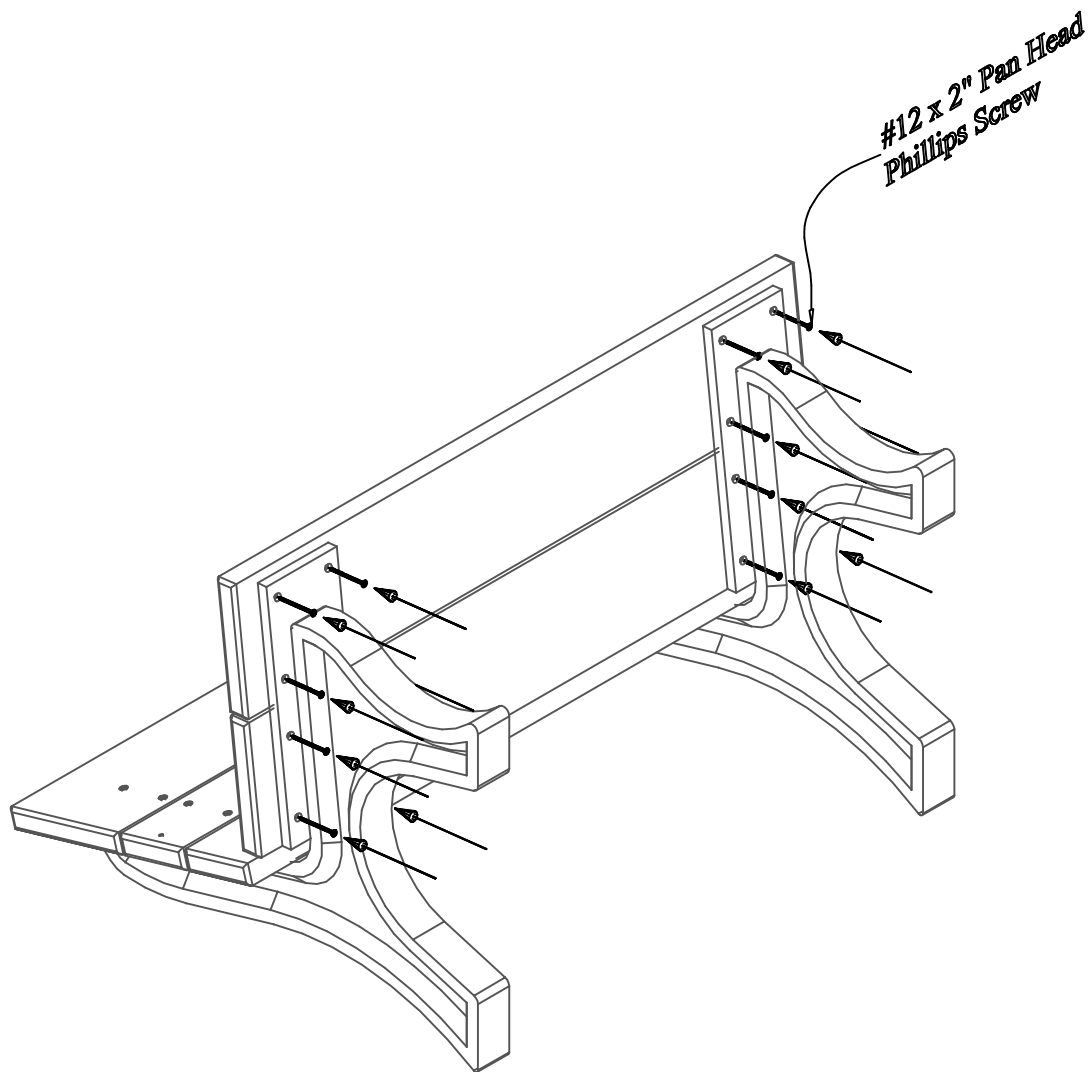
Step #4:

Place a Mounting Plate with the countersink's facing up on each bench end. Being sure to align the pre-drilled holes to the pilot holes in the bench end. Use (1) One #12 x 2" Flat Head Phillips Screw per hole to fasten.



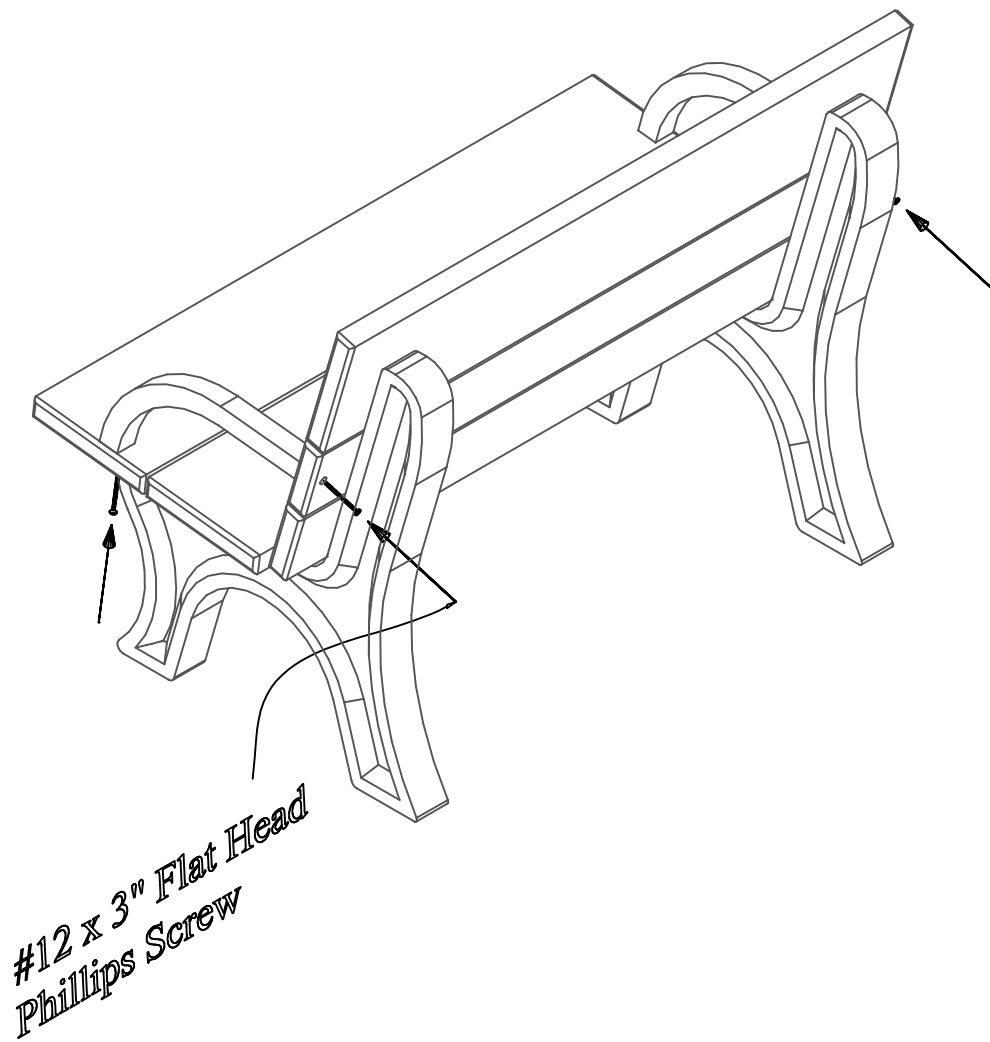
Step #5:

Repeat Steps 1 - 3 to attach bench board E on position 3 and a bench board w/ arm holes C on position 2. Use (1) One #12 x 3" Flat Head Phillips Screw per hole to fasten.



Step #6:

Attach bench board F on position 4 and a bench board w/ arm holes H on position 5. Being sure to align the pre-drilled holes in the mounting plates to the pilot holes in the bench boards. Use (1) One #12 x 2" Pan Head Phillips Screw per hole to fasten.



Step #7:

Position the bench arms as shown above. align the pilot holes to the pre-drilled holes in the bench board w/ arm holes. After the holes are properly aligned, Fasten (1) One #12 x3" Flat Head Phillips Screw per hole.