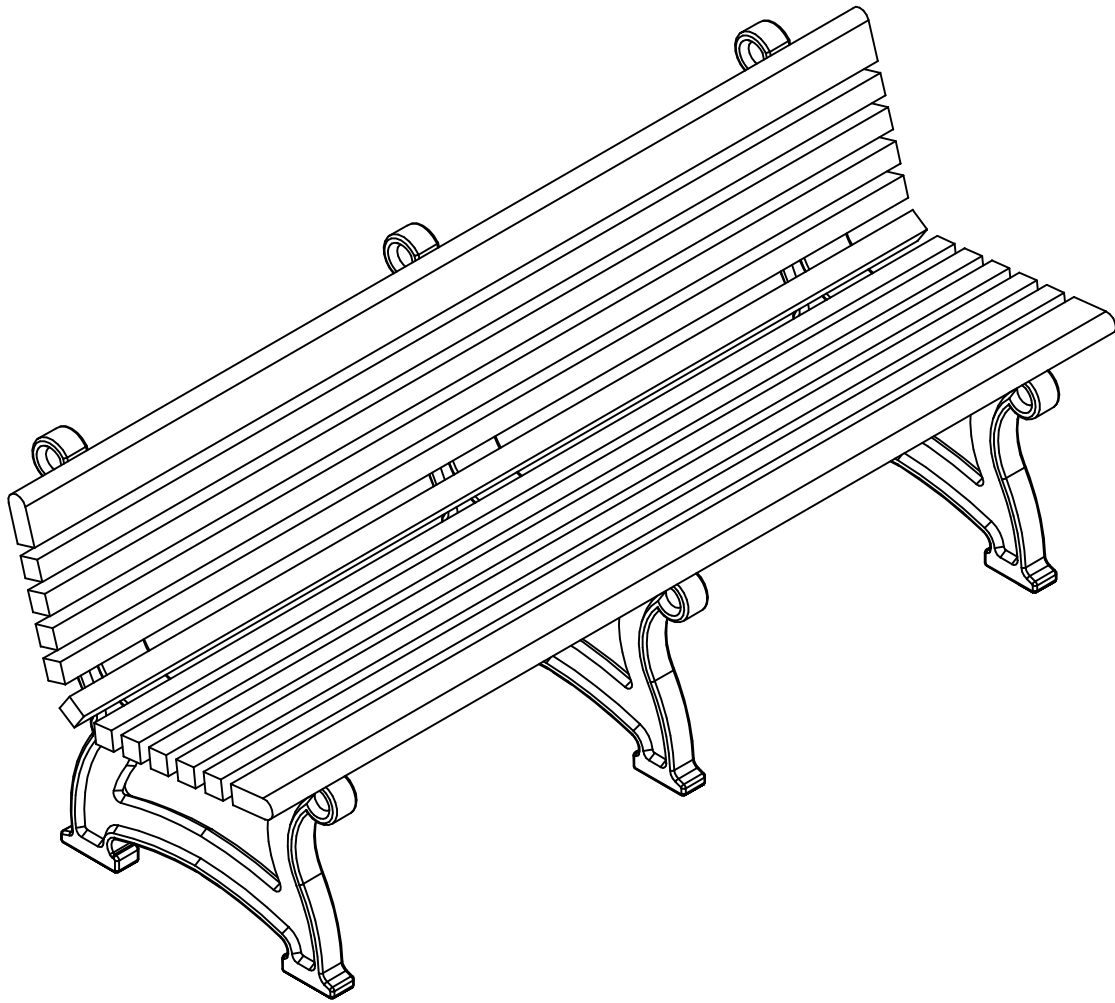


6 Foot Willow Park Bench

For Fastener Pack
(FP-WB6B-CU-00)



Congratulations !!

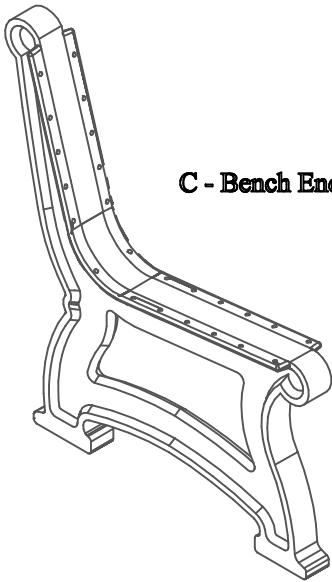
You have just purchased the finest recycled plastic
park bench available. Enjoy !!!

Before assembly, please make sure all components are included.

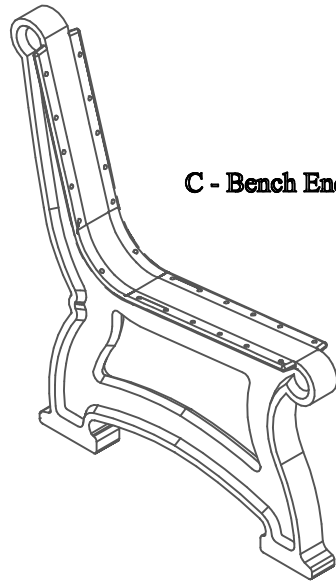


(1) - One Fastener Pack
FP-WB6B-CU-00

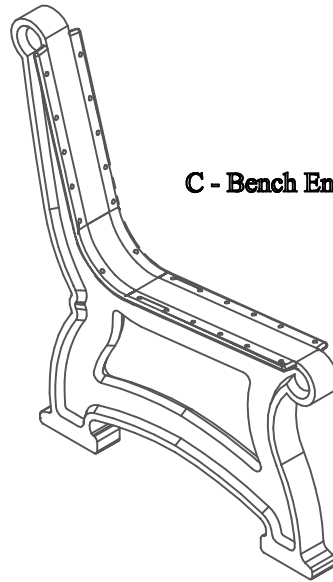
FP - Fastener Pack



C - Bench End



C - Bench End



C - Bench End

(3) - Three Bench Ends
PS-HBBE-A-00

. .	A - Bull Nose Bench Board
. .	A - Bull Nose Bench Board

(2) - Two Bull Nose Bench Boards
BP-WB6B-A-00

. .	B - Bench Board
. .	B - Bench Board
. .	B - Bench Board
. .	B - Bench Board
. .	B - Bench Board
. .	B - Bench Board
. .	B - Bench Board
. .	B - Bench Board
. .	B - Bench Board
. .	B - Bench Board

(10) - Ten Bench Boards
BP-WB6B-B-00

Before assembly, please make sure all fasteners are included.

72 - #12 x 1 1/2" Pan Head Phillips Screw

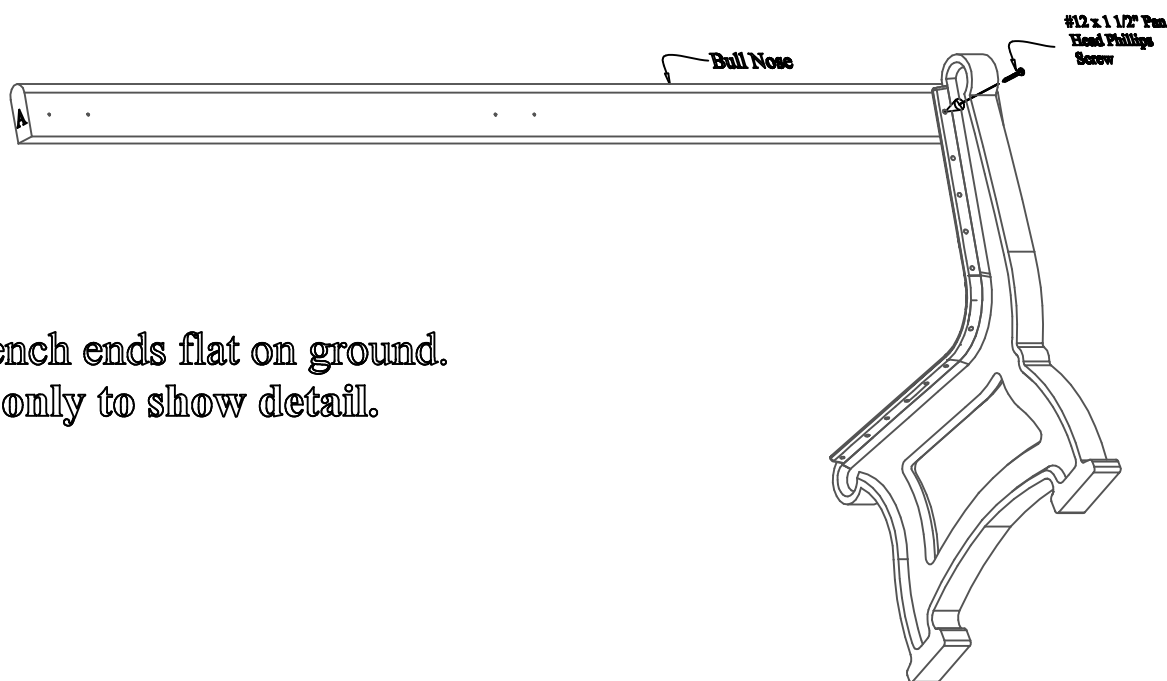
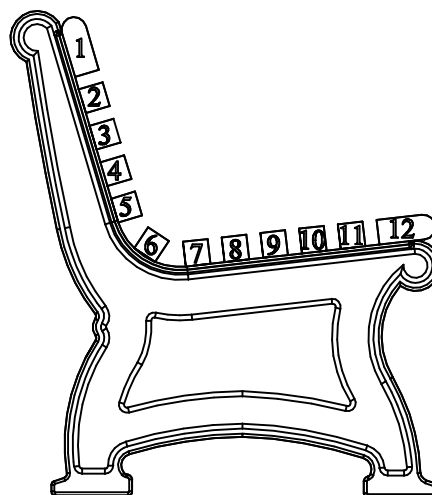


Also needed for this assembly will be the following materials:

1 - #3 Phillips Drive Bit

Fig #1:

In order to make the assembly of this Willow Bench easier while going through the assembly process the board positions are numbered and will be referenced in later steps.



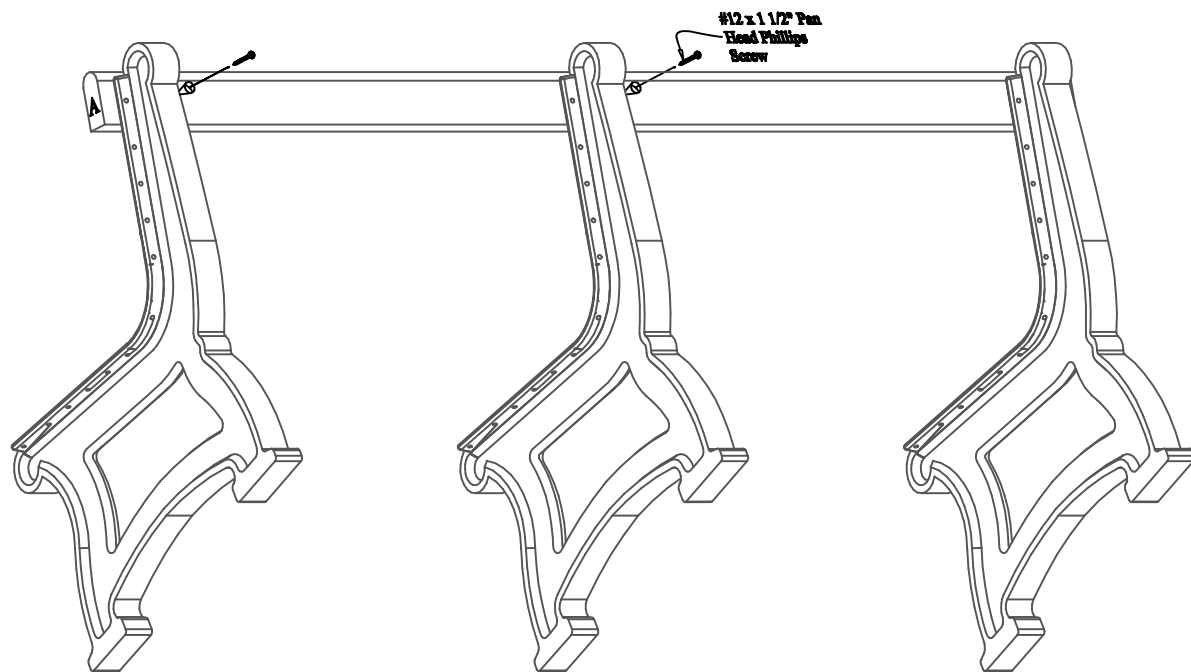
Note:

Stand bench ends flat on ground.
View is only to show detail.

Step #1:

Stand (1) One bench end upright and place (1) One bull nose bench board (A) on position 1 being sure to align the pilot holes to the pre-drilled holes in the bench end. After the holes are properly aligned, fasten with (1) One #12 x 1 1/2" Pan Head Phillips Screw in the pre-drilled hole on the right side of the bench end.

Note: Do not tighten screw completely. This will be done in a later step.



Step #2:

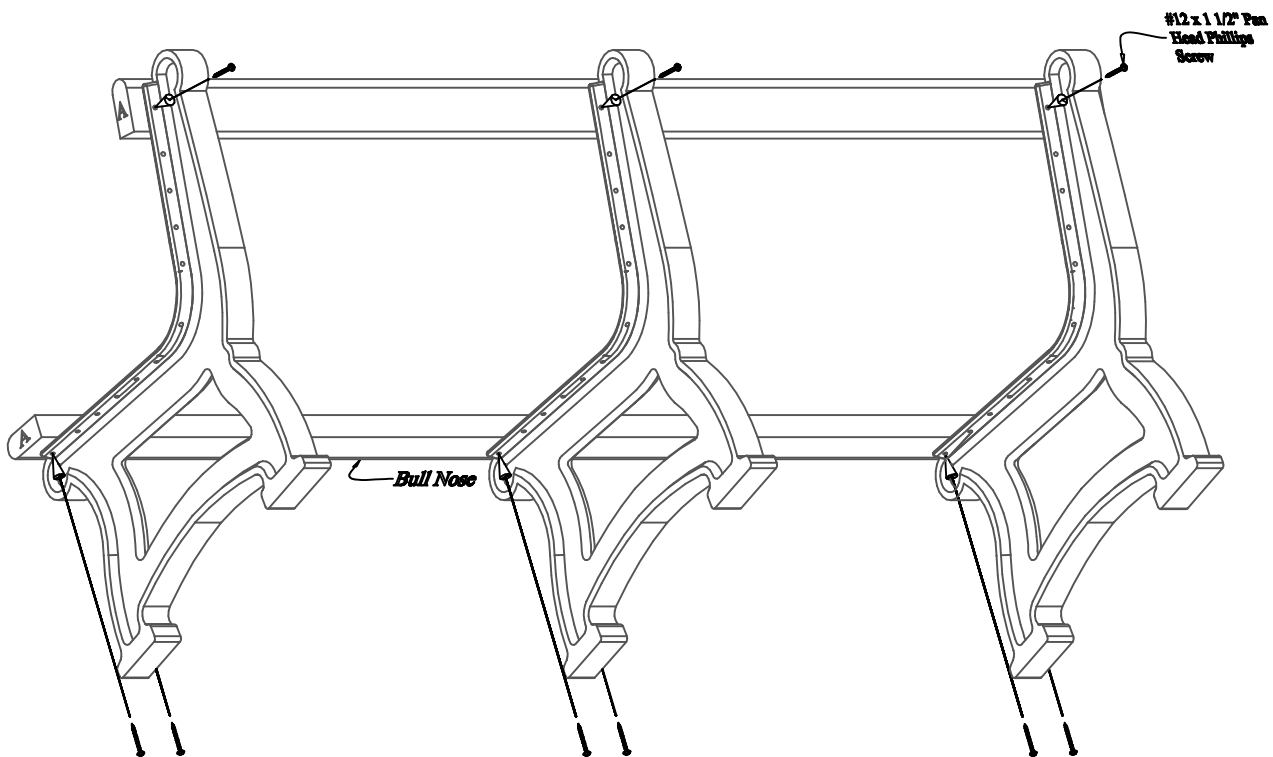
Stand the other (2) two bench ends upright, and place the bull nose bench board (A) already attached to the first bench end, on position 1 being sure to align the pilot holes with the pre-drilled holes in the bench ends. After the holes are properly aligned, fasten with (1) One #12 x 1 1/2" Pan Head Phillips Screw in the pre-drilled holes on the right side of the bench ends.

Note: Do not tighten screws completely. This will be done in a later step.

Step #3:

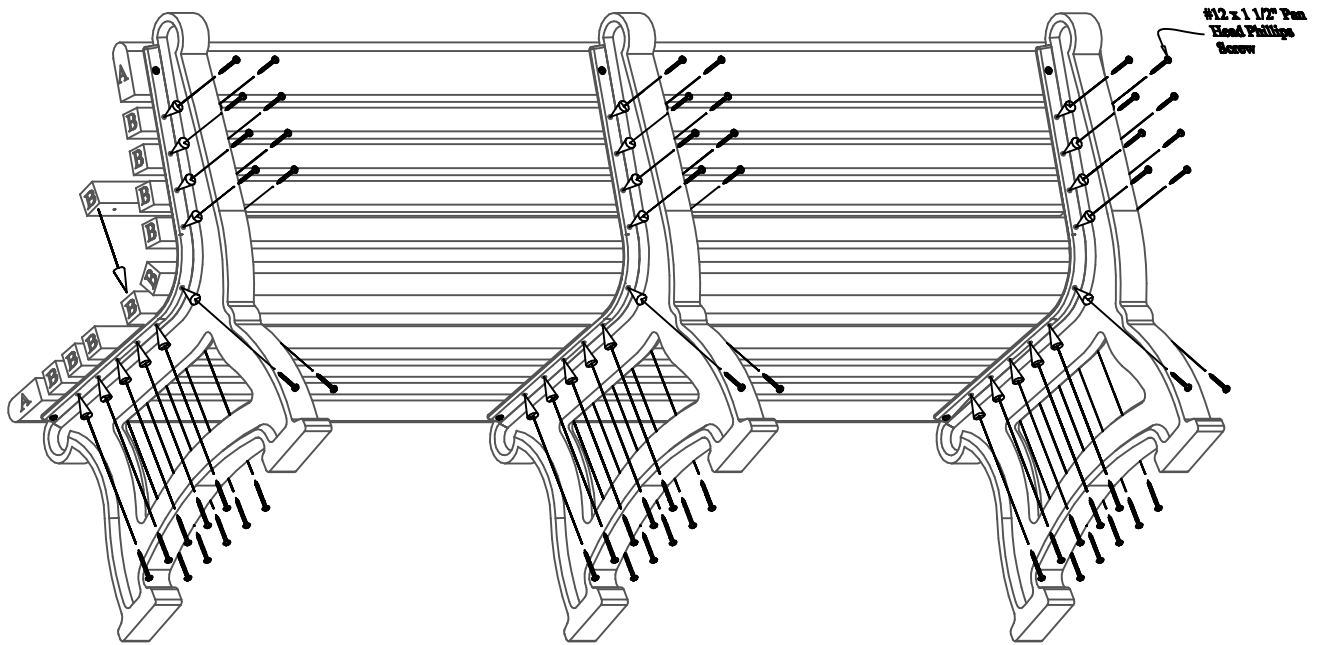
Align the pilot holes on the bull nose bench board (A) to the pre-drilled holes on the left side of the bench ends. After the holes are properly aligned, fasten with (1) One #12 x 1 1/2" Pan Head Phillips Screw per bench end.

Note: Be sure to tighten screws completely after this step.



Step #4:

Place a second bull nose bench board (A) on position 12. Repeat Steps 1 - 3 to attach. Use (1) One #12 x 1 1/2" Pan Head Phillips Screw per hole to fasten.



Step #6:

Repeat Steps 1 - 3 to attach bench boards (B) on positions 2-11.

Use (1) One #12 x 1 1/2" Pan Head Phillips Screw per hole to fasten.