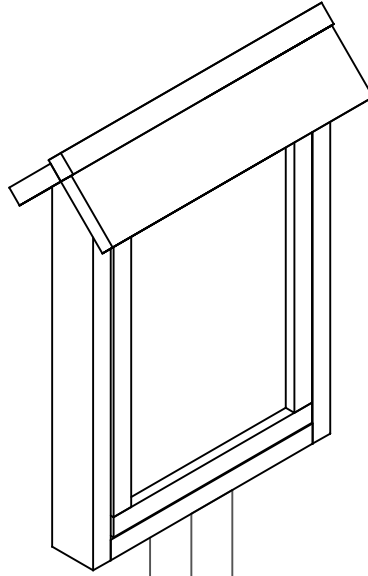


# Small Message Center One Sided

For Fastener Pack  
(FP-SMC-1S1P-CU-02)

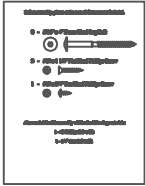


Congratulations !!

You have just purchased the finest recycled plastic  
message center available. Enjoy !!!

FS-SMC-1S1P-CAP-02

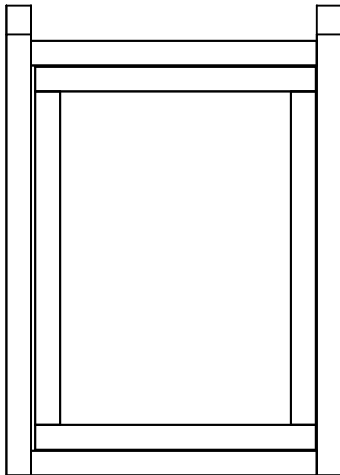
Before assembly, please make sure all components are included.



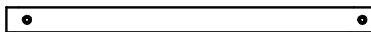
( 1 ) - One Fastener Pack  
FP-SMC-1S1P-CU-02

( 1 ) - One Post  
MP-SMP-A-01

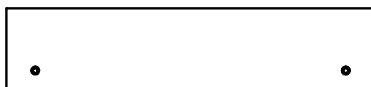
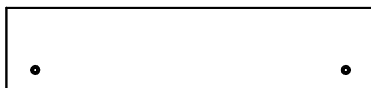
( 1 ) - One Message Center  
MSA-SMC-1S1P-02



( 1 ) - One - 2" x 2" Roof Board  
MP-SMP-B-01



( 2 ) - Two - 1-1/4" x 5" Roof Board  
MP-SMP-C-01

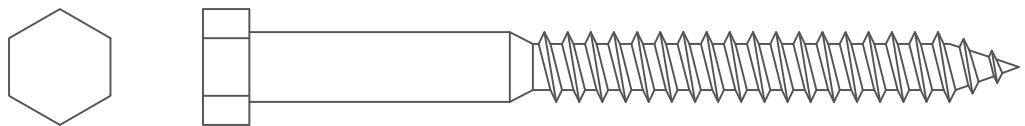


Before assembly, please make sure all fasteners are included.

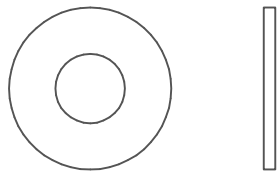
8 - #12 x 2 1/2" Flat Head Phillips Screw



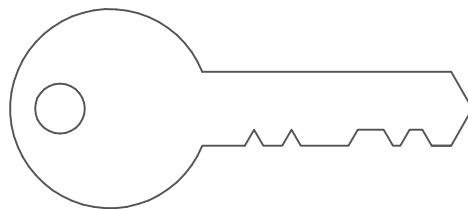
2 - 3/8" x 4" Hex Head Lag Bolt



2 - 3/8" Flat Washer



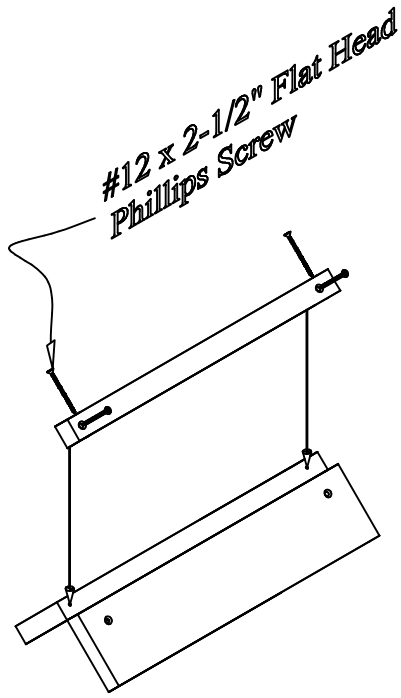
1 - Set of 2 Keys



Also needed for this assembly will be the following materials:

1 - 9/16" Socket Wrench

1 - #3 Phillips Drive Bit

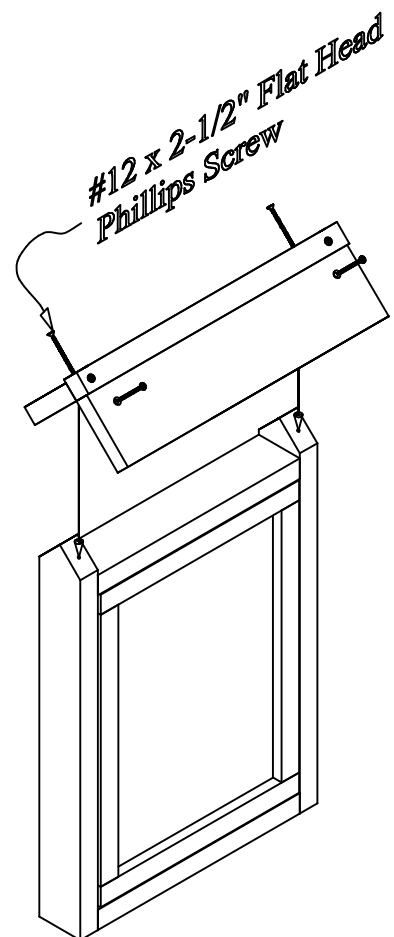


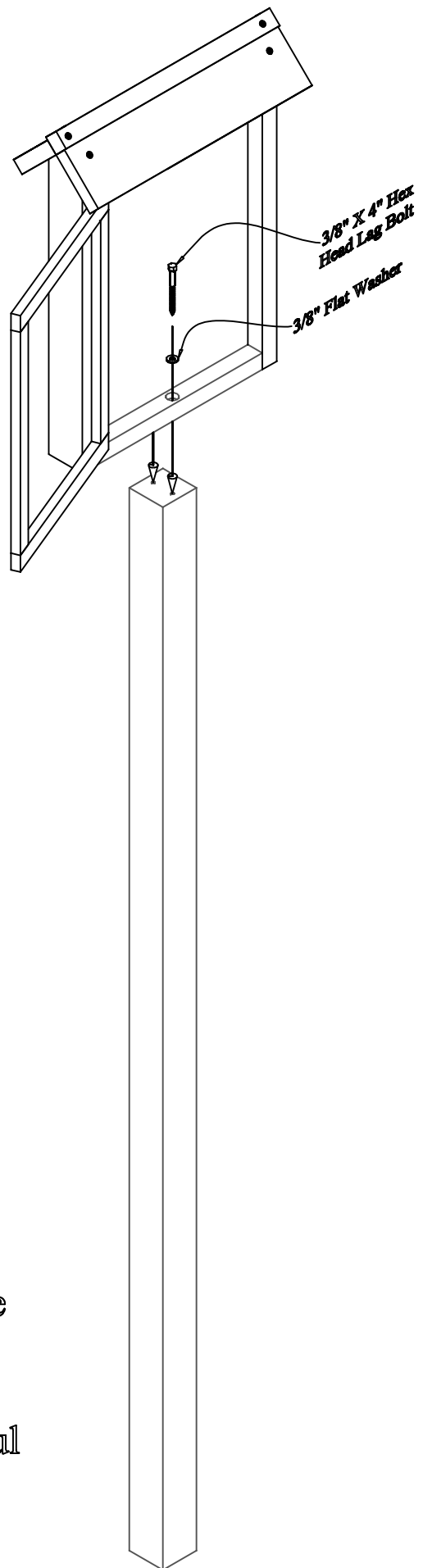
### Step #1

Align the pre drilled holes in the 2"x 2" Roof Board with the pilot holes on the 1-1/4" x 5" Roof Boards and fasten them together with (1) - one #12 x 2-1/2" Flat Head Screw per aligned hole.

### Step #2

Align the pre drilled holes in the Roof Assembly with the pilot holes on the Message center and fasten them together with (1) - one #12 x 2-1/2" Flat Head Screw per aligned hole.





### Step #3:

Open the access door and place the Message Center on top of the Post being sure to align the pre drilled holes with the pilot holes. Place (1) - One 3/8" x 4" Lag Bolt and ( 1 ) - One 3/8" Flat Washer per hole. Secure the bolts tightly being careful not to over tighten the bolts.