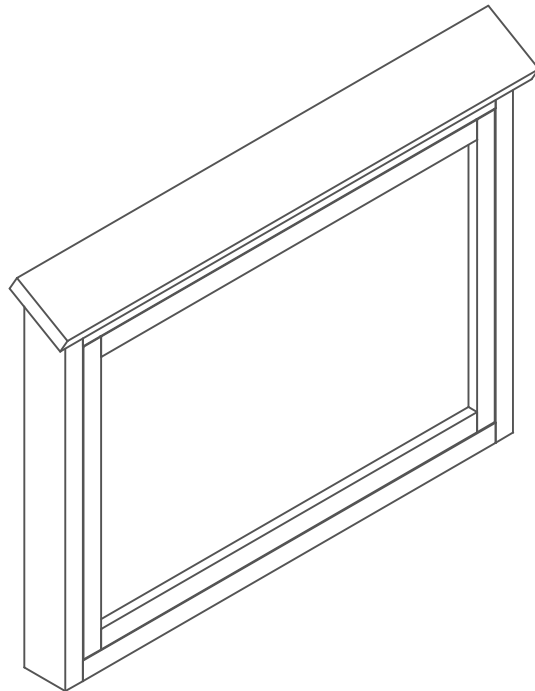


Medium Message Center Wall Mount

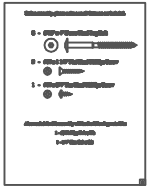
For Fastener Pack
(FP-MMC-1SOP-CU-03)



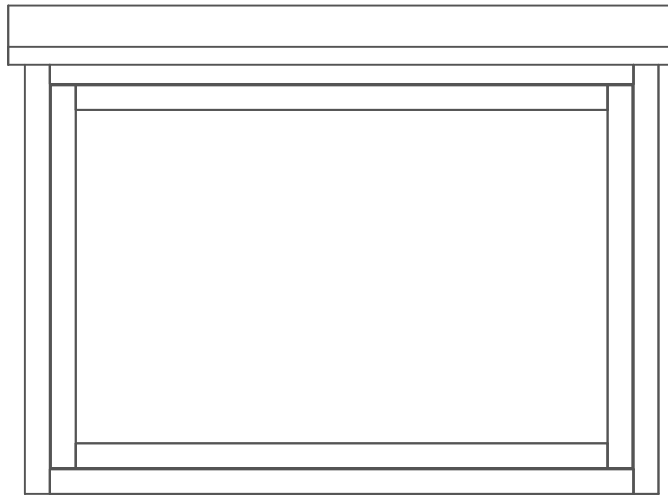
Congratulations !!

You have just purchased the finest recycled plastic
message center available. Enjoy !!!

Before assembly, please make sure all components are included.



(1) - One Fastener Pack
FP-MMC-1SOP-CU-03



(1) - One Message Center
MCSA-MMC-1SOP-03



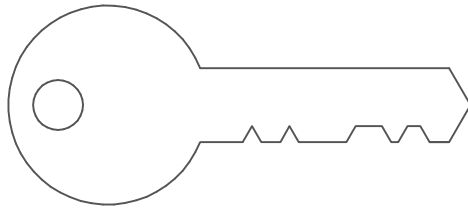
(1) - One 30" Aluminum Hanging Bracket
2152A14

Before assembly, please make sure all fasteners are included.

8 - #12 x 2" Pan Head Phillips Screw



2 - Set of 2 Keys

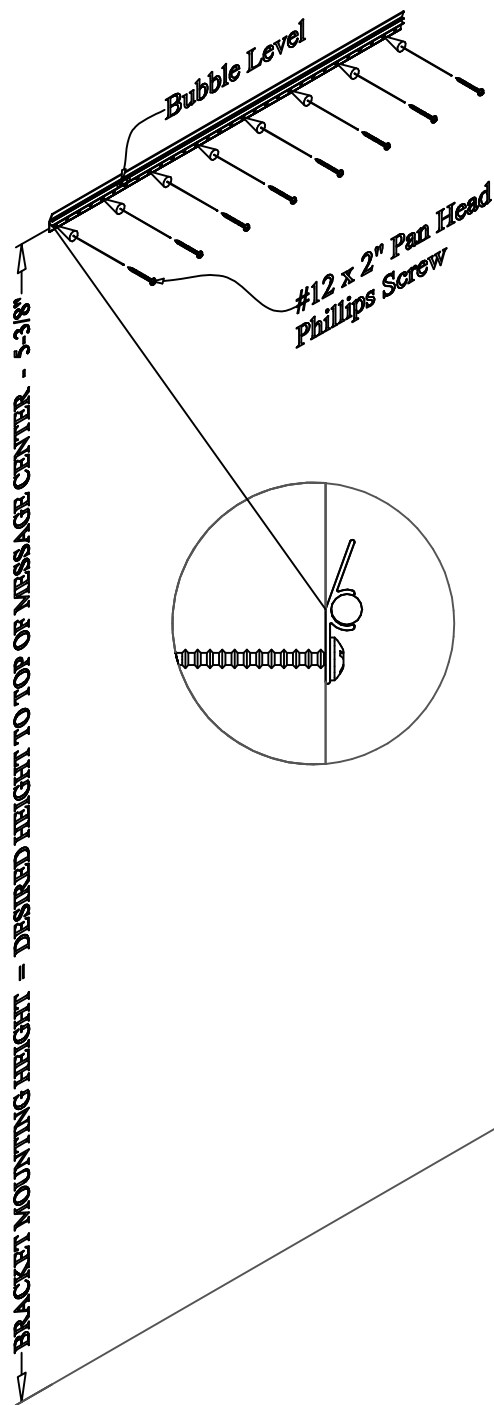


1 - Bubble Level for Aluminum Bracket



Also needed for this assembly will be the following materials:

1 - #3 Phillips Drive Bit

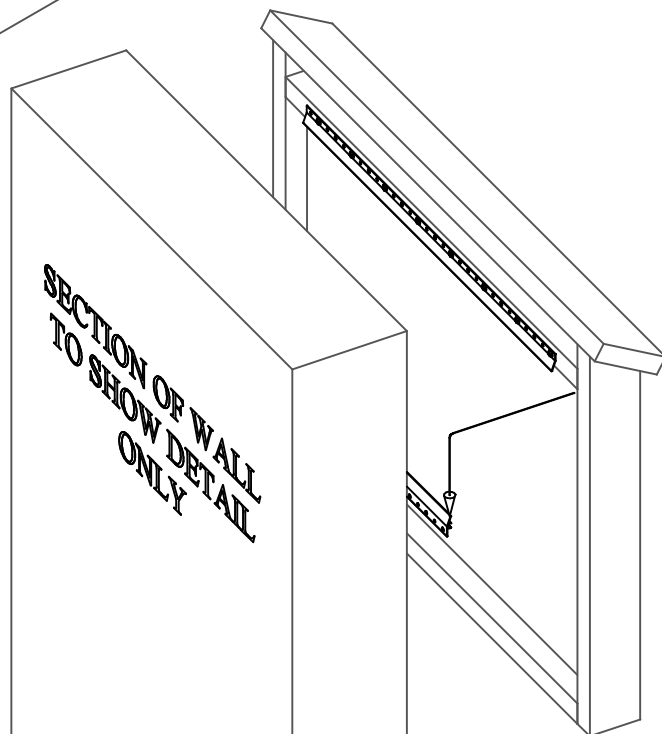


Step #1:

Mount the 30" Aluminum Hanging Bracket level on your mounting surface at the desired height by using the provided Bubble Level. Make sure the tapered edge is pointing up and away from the surface. Use the provided #12 x 2" Pan Head Phillips Screws, or use fasteners that are best suited for your mounting surface. Fasteners and mounting surface need to hold approximately 43 pounds.

Step #2:

REMOVE THE BUBBLE LEVEL FROM THE ALUMINUM BRACKET and place the Medium Message Center above the bracket and flat against the mounting surface. Slide down to inter-lock the two brackets.



DEAR VALUED CUSTOMER,

THANK YOU FOR PURCHASING THIS PRODUCT. THIS PRODUCT IS MANUFACTURED USING RECYCLED MATERIALS AND MAY HAVE SLIGHT COLOR VARIATIONS, OCCASIONAL SPECKS OF COLOR OR IRREGULAR SURFACE PATTERNS. THESE ARE NORMAL CONDITIONS OF RECYCLED PLASTICS AND MAKE EACH PIECE OF FURNITURE UNIQUE. THESE CHARACTERISTICS DO NOT AFFECT THE STRENGTH, QUALITY OR PERFORMANCE OF THE PRODUCT.

THANK YOU AGAIN FOR PURCHASING THIS PRODUCT AND HELPING OUR ENVIRONMENT.