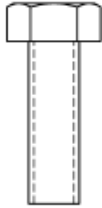


Model # BARK-940P-P6

HARDWARE



5/16" x 1"
Machine Bolt

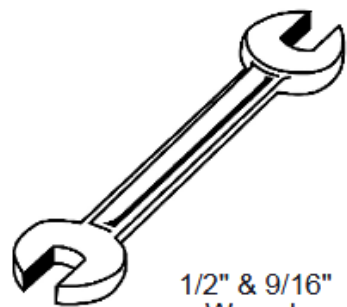


5/16" Washer



5/16" Kep Nut

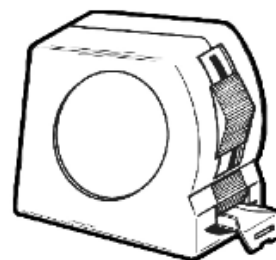
TOOLS REQUIRED



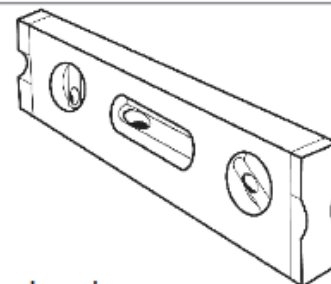
1/2" & 9/16"
Wrench



1/2" & 9/16"
Socket Wrench



Tape Measure



Level

BARK PARK PRODUCT SPECIFICATIONS

BARK-940P-P6

Seats & Back: 11 gauge die formed angle frame 1"x1-7/8" with 3" radius corners. Seat and back plates are fabricated from a 12ga plate. Holes are precision punched at 5/8" diameter. 7 gauge x 1-1/2" flat bar center support and mounting bracket understructure. Electrically MIG welded.

Coating: Oven fused functionalized polyethylene copolymer-based thermoplastic. Fluidized bed coating application with superior mechanical performance, impact resistance and UV-stability.

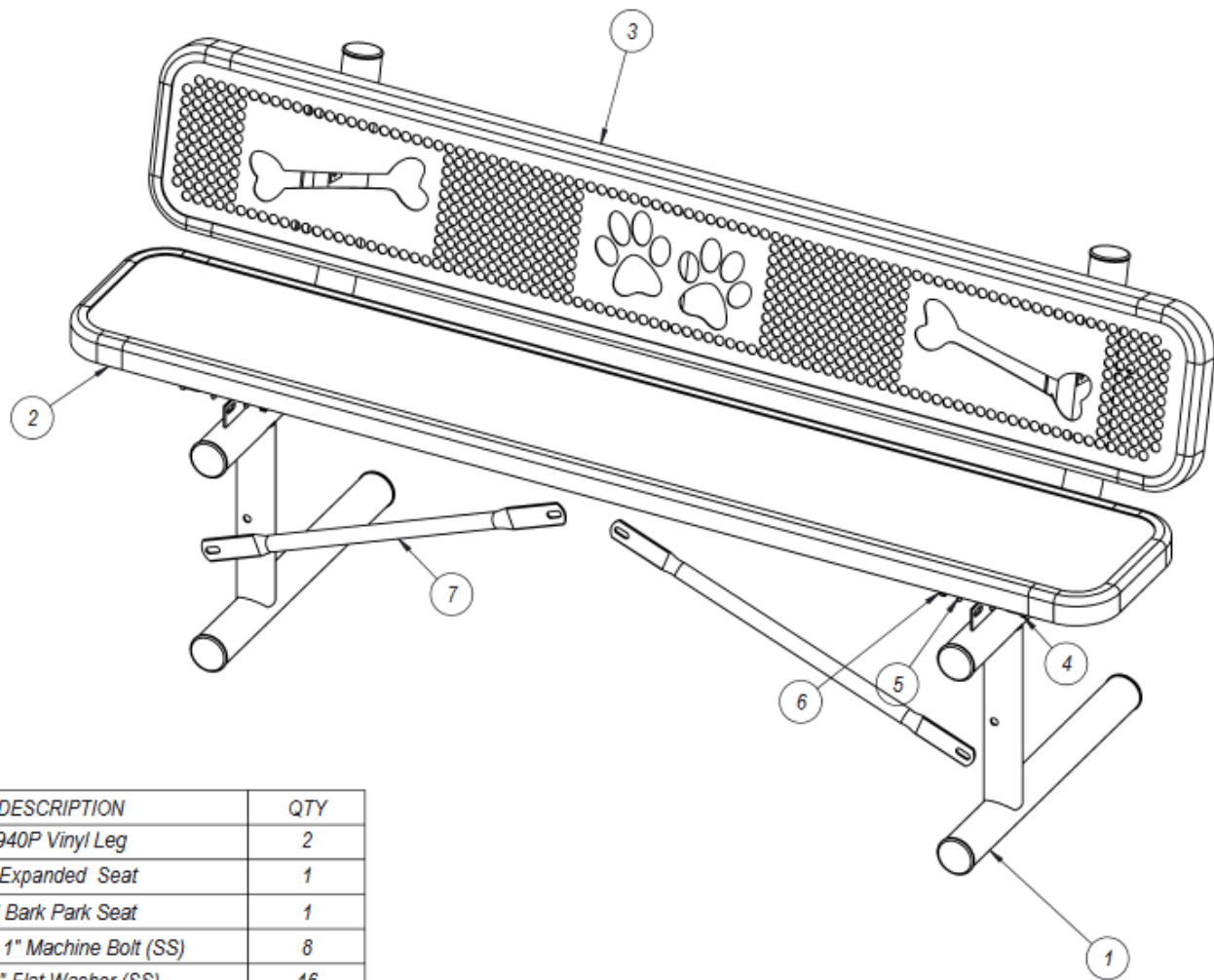
Frame: 2-3/8" O.D. x 12 gauge pre-galvanized structural steel tubing. Seat/back support is bent over a mandrel through the bend radius producing a wrinkle free bend. Tube ends are pre-galvanized steel capped. Seat mounting points are 7 gauge x 1-1/2" die stamped steel flat bar. Cross braces are 1.029 O.D. x 15 gauge pre-galvanized structural steel tubing. All electrically MIG welded.

Frame Coating: Electrostatic powder coated application oven cured.

Hardware: All stainless steel hardware fasteners.

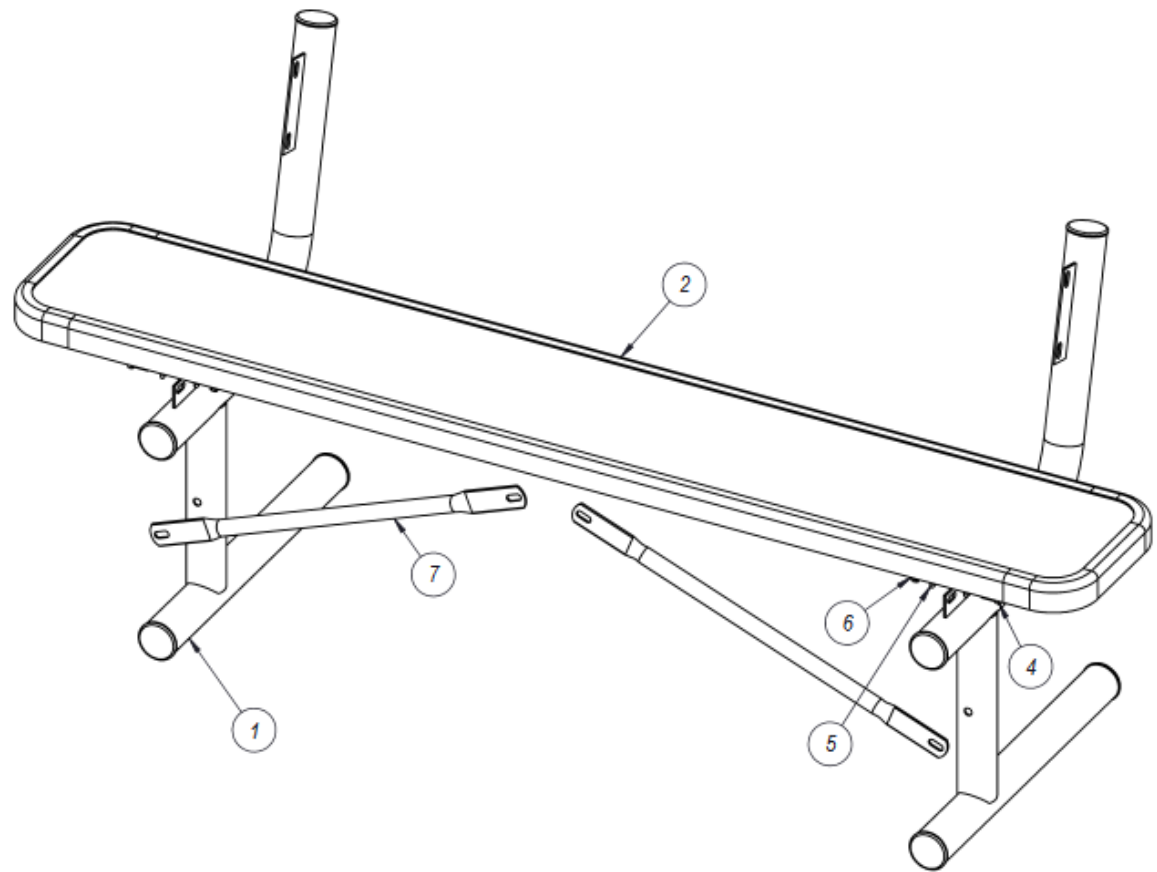
Dimensions: 6' bench portable with back. Seats and back are 12-1/8" wide x 72-1/8" long. Seat height is 17", seat back height is 35". Total depth of seat with back is 22".

COMPONENTS



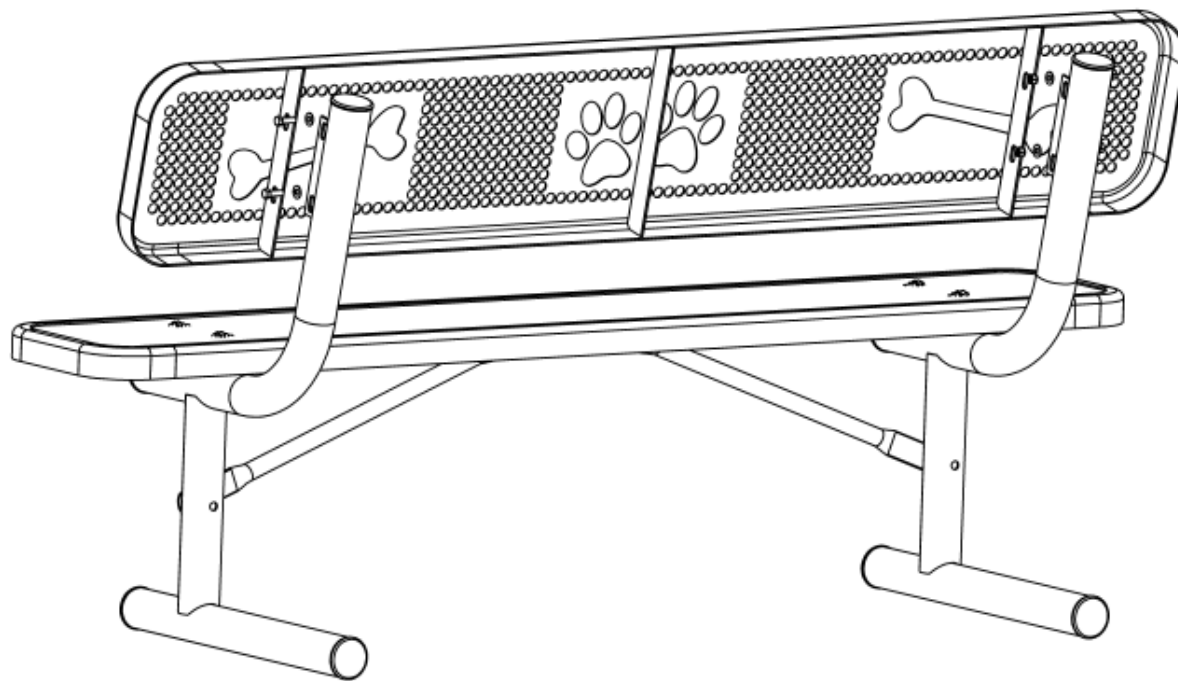
ITEM NO.	PartNo	DESCRIPTION	QTY
1	P-V940P	940P Vinyl Leg	2
2	T-V72-S	6' Expanded Seat	1
3	T-01-08-0048	6' Bark Park Seat	1
4	33-05-0029	5/16" x 1" Machine Bolt (SS)	8
5	33-02-0007	5/16" Flat Washer (SS)	16
6	33-03-0012	5/16" Kep Nut (SS)	8
7	P-01-04-0129	29 3/4" Brace	2

STEP 1



Attach the seat plank to the legs as shown using specified hardware. Then attach the bracing to the underneath of the seat and the front of the legs as shown.

STEP 2



Attach the back plank the same way as the seat using specified hardware.

OVERALL DIMENSIONS

